

Agilis™ EPI Steerable Introducer Dual-Reach™ 40 cm Sheath 8.5 F

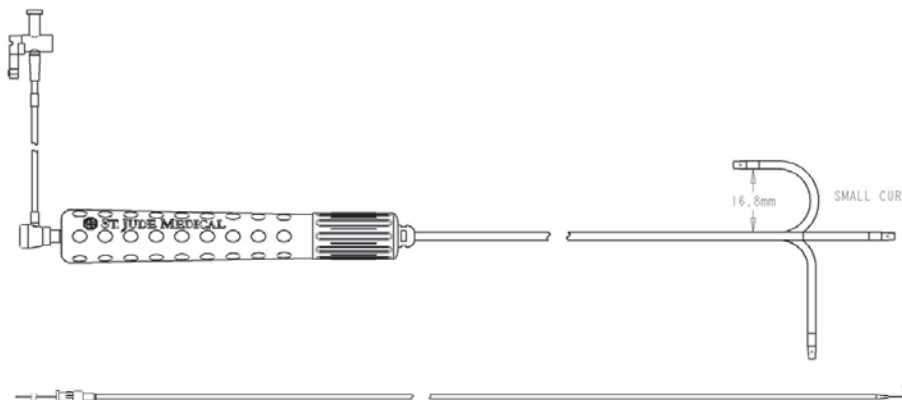
Product Highlights

- Designed for epicardial access
- Precise steering control
- Ergonomic handle
- Dual-Reach™ Bi-directional deflection
- Braided introducer shaft
- Atraumatic tip
- Integrated hemostasis valve
- Radiopaque tip marker

Ordering Information

8.5 F Agilis™ EPI Steerable Introducer w/Tip Marker; 61 cm Lumen Length, 40 cm Usable Length, 62cm Straight Dilator, 180 cm Super Stiff Guidewire with Finger Straightenable 3 mm “J” (1 unit per box)

Reorder Number	Curl Dimension	Sheath French Size	Dilator French Size	Maximum Guidewire Diameter (in)	Curve Type	Sheath Usable Length (cm)
G408333	16.8 mm	8.5	8.5	.032	Small Curl Dual-Reach™ Bi-directional	40



Agilis™ NxT Steerable Introducers
Dual-Reach™
61 cm Sheath
8.5 F

Access

Product Highlights

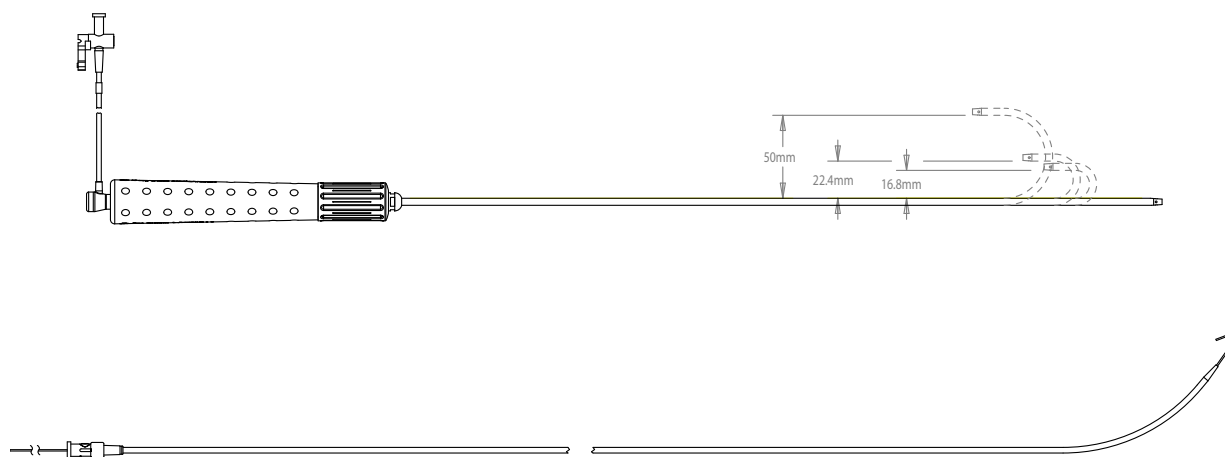
- Precise steering control
- Ergonomic handle
- Dual-Reach™ Bi-directional deflection
- Braided introducer shaft with improved kink resistance
- Atraumatic tip
- Integrated hemostasis valve
- Radiopaque tip marker
- Accommodates 89 cm length BRK™ Transseptal Needles, BRK-1™ and XS series versions, see pages 34 and 35

Ordering Information

8.5 F Agilis™ NxT Steerable Introducer with Tip Marker; 81 cm Lumen Length, 61 cm Usable Length, Dilator and 180 cm Super Stiff Guidewire with Finger Straightenable 3 mm “J” (1 unit per box)

Reorder Number	Curl Dimension	Sheath French Size	Dilator French Size	Maximum Guidewire Diameter (in)	Curve Type	Sheath Usable Length (cm)
G408318*	16.8 mm	8.5	8.5	.032	Small Curl Dual-Reach™ Bi-directional	61
G408319*	22.4 mm	8.5	8.5	.032	Medium Curl Dual-Reach™ Bi-directional	61

*Models with improved kink resistance



Agilis™ NxT Steerable Introducers Dual-Reach™ 71 cm Sheath 8.5 F

Product Highlights

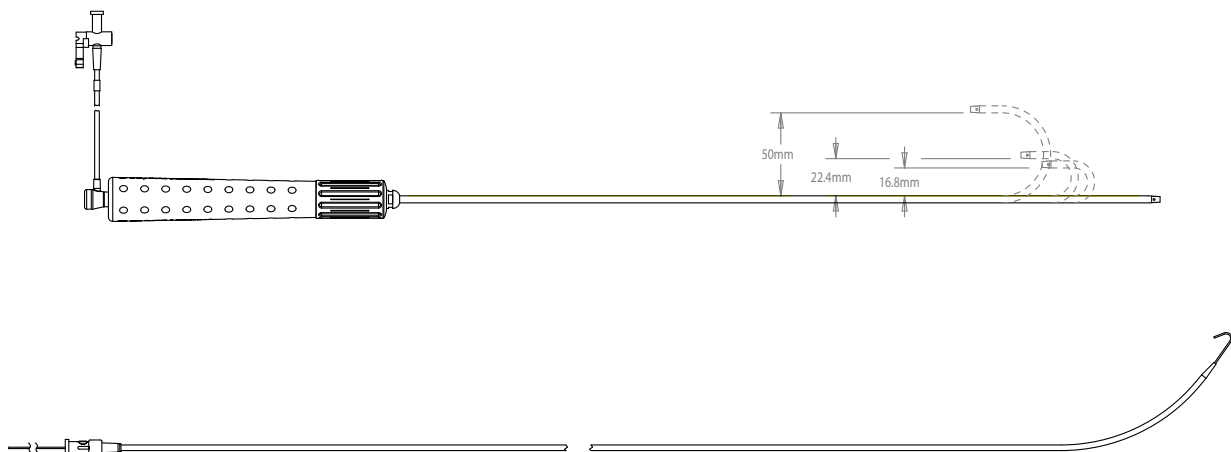
- Precise steering control
- Ergonomic handle
- Dual-Reach™ Bi-directional deflection
- Braided introducer shaft
- Select models with improved kink resistance
- Atraumatic tip
- Integrated hemostasis valve
- Radiopaque tip marker
- Accommodates 98 cm length BRK™ Transseptal Needles, BRK-1™ and XS series versions, see pages 34 and 35

Ordering Information

8.5 F Agilis™ NxT Steerable Introducer w/Tip Marker; 91 cm Lumen Length, 71 cm Usable Length, Dilator and 180 cm Super Stiff Guidewire with Finger Straightenable 3 mm “J” (1 unit per box)

Reorder Number	Curl Dimension	Sheath French Size	Dilator French Size	Maximum Guidewire Diameter (in)	Curve Type	Sheath Usable Length (cm)
408309	16.8 mm	8.5	8.5	.032	Small Curl Dual-Reach™ Bi-directional	71
G408320*	16.8 mm	8.5	8.5	.032	Small Curl Dual-Reach™ Bi-directional	71
408310	22.4 mm	8.5	8.5	.032	Medium Curl Dual-Reach™ Bi-directional	71
G408321*	22.4 mm	8.5	8.5	.032	Medium Curl Dual-Reach™ Bi-directional	71
G408324	50.0 mm	8.5	8.5	.032	Large Curl Dual-Reach™ Bi-directional	71

*Models with improved kink resistance



Agilis™ NxT Steerable Introducer
 Dual-Reach™
 82 cm Sheath
 8.5 F

Access

Product Highlights

- Precise steering control
- Ergonomic handle
- Dual-Reach™ Bi-directional deflection
- Braided introducer shaft
- Atraumatic tip
- Integrated hemostasis valve
- Radiopaque tip marker

Ordering Information

8.5 F Agilis™ NxT Steerable Introducer w/Tip Marker; 102 cm Lumen Length, 82 cm Usable Length, Dilator, 180 cm Super Stiff Guidewire with Finger Straightenable 3 mm “J” (1 unit per box)

Reorder Number	Curl Dimension	Sheath French Size	Dilator French Size	Maximum Guidewire Diameter (in)	Curve Type	Sheath Usable Length (cm)
G408332	50.0 mm	8.5	8.5	.032	Large Curl Dual-Reach™ Bi-directional	82

