

Fast-Cath™ Transseptal Guiding Introducer 60 and 62 cm Sheath with Tip Marker 8 F – 10 F

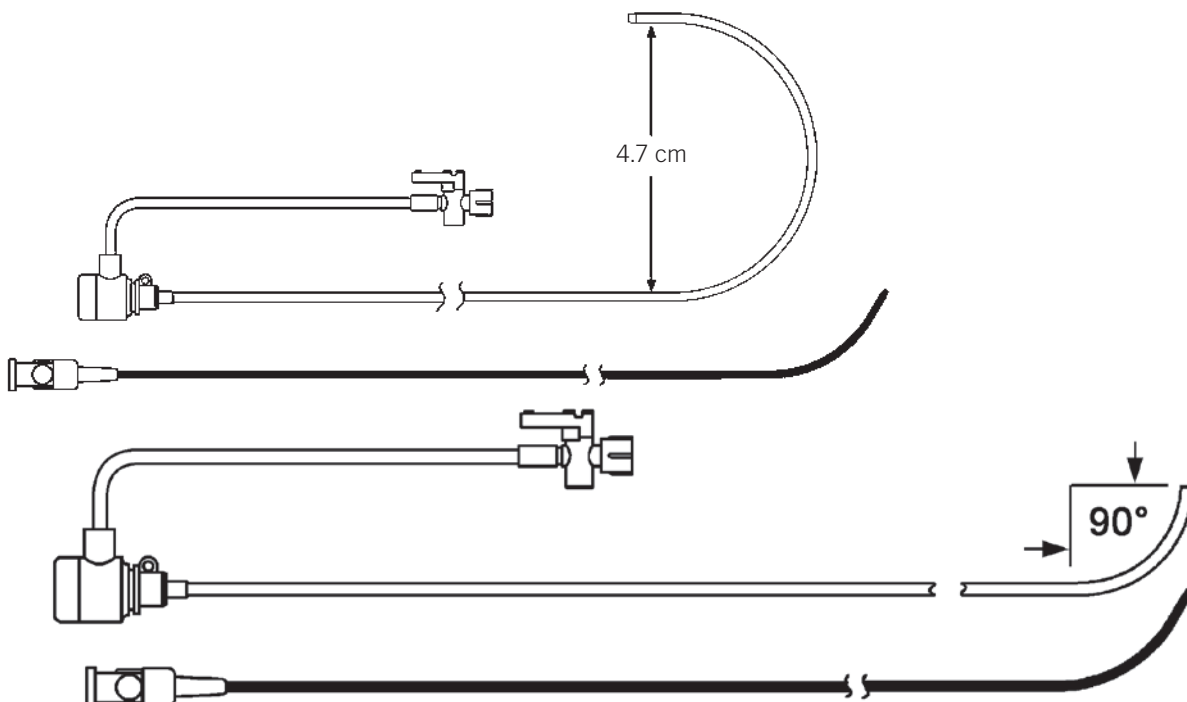
Product Highlights

- Close tolerance extrusion and proprietary tipping process facilitate tracking on a guidewire
- Convenient suture rings to secure sheath during catheter manipulation or during prolonged vascular access
- Fast-Cath™ valve preserves catheter handling characteristics while minimizing backbleeding and air aspiration
- Snap lock feature secures dilator in sheath during insertion
- Centimeter markings on the proximal portion of the dilator
- Radiopaque tip marker at the distal end of the sheath
- Accommodates a 71 cm BRK™ Transseptal Needle (Reorder Number 407200 or 407201)

Ordering Information

Introducer Sheath with Hemostasis Valve and Sideport, and Dilator (1 unit per box)

Reorder Number	French Size	Maximum Guidewire Diameter (in)	Curve Type	Sheath Usable Length (cm)	Dilator Usable Length (cm)
406805	8	.032	“Mullins” style	60	67
406901	10	.032	“Mullins” style	62	67
406902	8.5	.032	“Mullins” style	60	67
406586	8	.032	90 degree	60	67



Fast-Cath™ Transseptal
Guiding Introducer
61 cm Sheath
6 F–8.5 F

Access

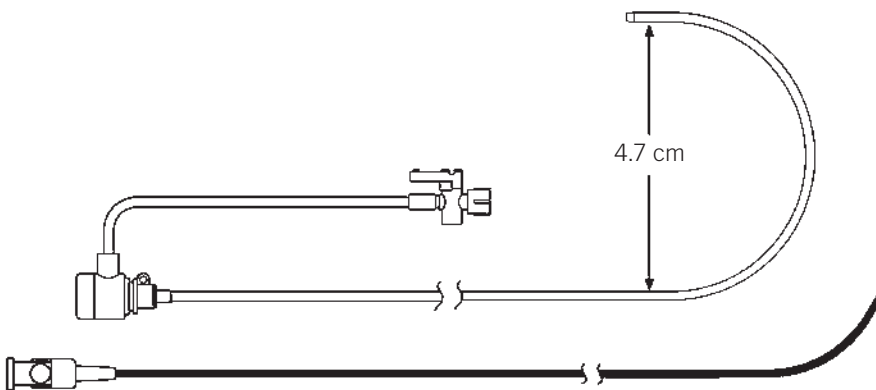
Product Highlights

- Close tolerance extrusion and proprietary tipping process facilitate tracking on a guidewire
- Convenient suture rings to secure sheath during catheter manipulation or during prolonged vascular access
- Fast-Cath™ valve preserves catheter handling characteristics while minimizing backbleeding and air aspiration
- Snap lock feature secures dilator in sheath during insertion
- Centimeter markings on the proximal portion of the dilator
- Accommodates a 71 cm BRK™ Transseptal Needle (Reorder Number 407200 or 407201)

Ordering Information

Introducer Sheath with Hemostasis Valve and Sideport, and Dilator (1 unit per box)

Reorder Number	French Size	Maximum Guidewire Diameter (in)	Curve Type	Sheath Usable Length (cm)	Dilator Usable Length (cm)
406800	6	.032	“Mullins” style	61	67
406802	7	.032	“Mullins” style	61	67
406804	8.5	.032	“Mullins” style	61	67



Fast-Cath™ Transseptal
Guiding Introducer
63 cm Sheath with Tip Marker
8 F – 10 F

Access

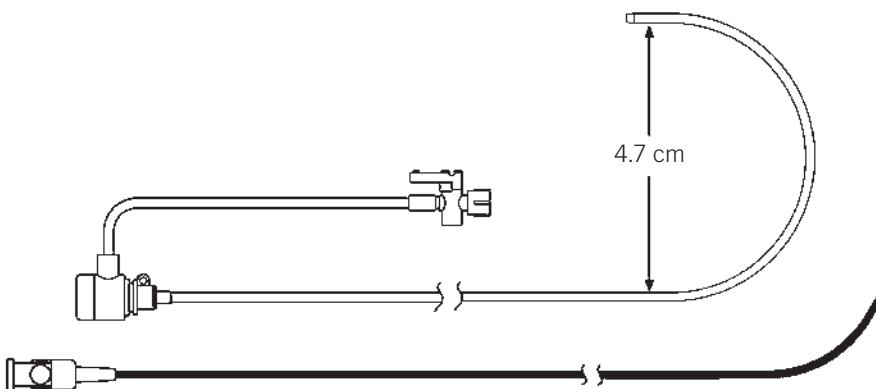
Product Highlights

- Close tolerance extrusion and proprietary tipping process facilitate tracking on a guidewire
- Convenient suture rings to secure sheath during catheter manipulation or during prolonged vascular access
- Fast-Cath™ valve preserves catheter handling characteristics while minimizing backbleeding and air aspiration
- Snap lock feature secures dilator in sheath during insertion
- Centimeter markings on the proximal portion of the dilator
- Radiopaque tip marker at the distal end of the sheath
- Sideholes prevent sheath cavitation
- Accommodates a 71 cm BRK™ Transseptal Needle (Reorder Number 407200 or 407201)

Ordering Information

Introducer Sheath with Hemostasis Valve and Sideport, Dilator and 180 cm Super Stiff Guidewire with 3 mm “J” tip (1 unit per box)

Reorder Number	French Size	Maximum Guidewire Diameter (in)	Curve Type	Sheath Usable Length (cm)	Dilator Usable Length (cm)
407436	8	.032	“Mullins” style	63	67
407438	10	.032	“Mullins” style	63	67



Fast-Cath™ Transseptal Guiding Introducer SL Series 10 F

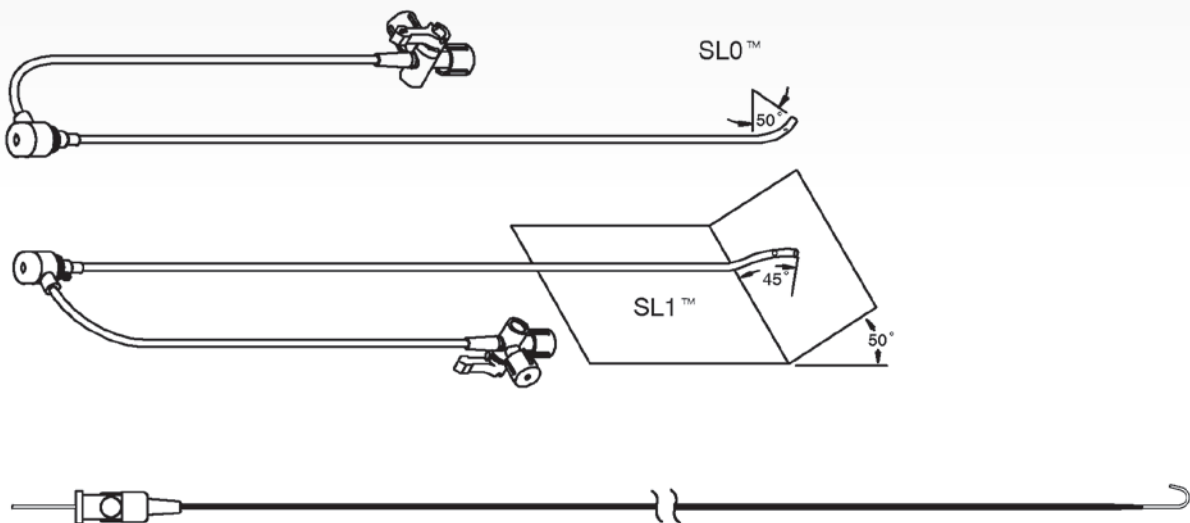
Product Highlights

- All of the advantages of Fast-Cath™ hemostasis introducer technology
- Sideholes and radiopaque tip marker at the distal end of the sheath
- The 63 cm sheath accommodates a 71 cm BRK™ Transseptal Needle and the 81 cm sheath accommodates an 89 cm BRK™ Transseptal Needle

Ordering Information

Introducer Sheath with Hemostasis Valve and Sideport, Dilator, and Guidewire with Finger Straightenable 3 mm "J" (1 unit per box)

Reorder Number	Sheath French Size	Dilator French Size	Guidewire Length and Type	Maximum Guidewire Diameter (in)	Curve Type	Sheath Usable Length (cm)	Dilator Usable Length (cm)
406968	10	10	180 cm, Superstiff	.032	SLO™	63	67
406969	10	10	180 cm, Superstiff	.032	SL1™	63	67



Fast-Cath™ Transseptal Guiding Introducer Swartz™ SL Transseptal Series 63 cm Length 8 F–8.5 F

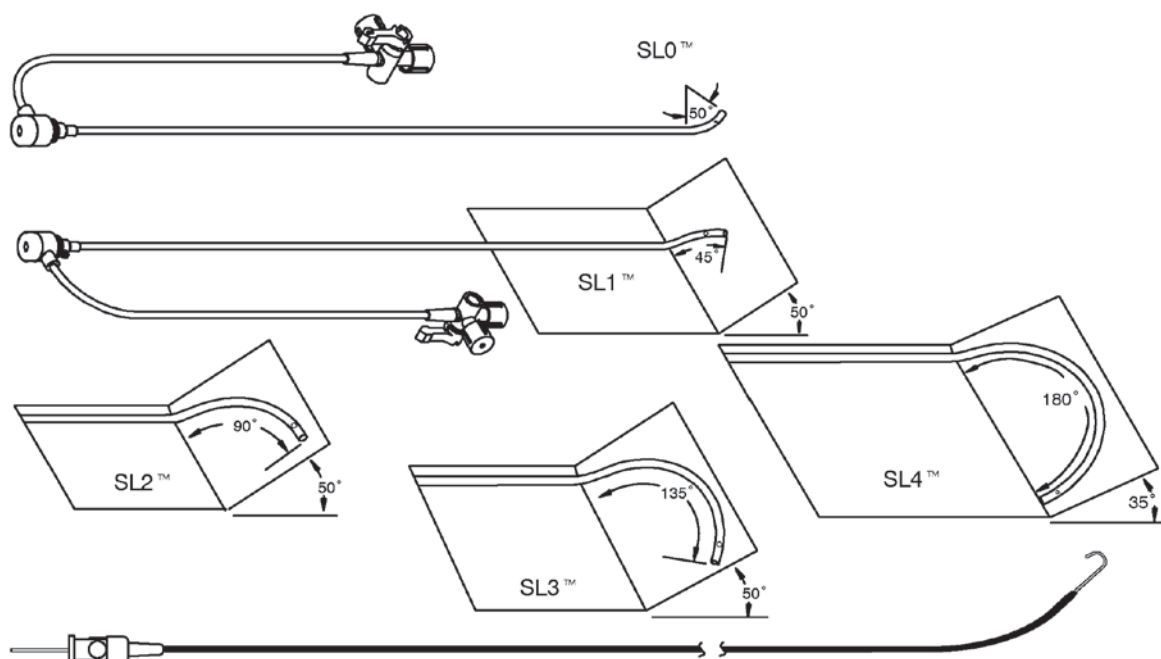
Product Highlights

- All of the advantages of Fast-Cath™ hemostasis introducer technology
- Sideholes and radiopaque tip marker at the distal end of the sheath
- Centimeter markings on the proximal portion of the dilator
- Accommodates a 71 cm BRK™ Transseptal Needle (Reorder Number 407200 or 407201)

Ordering Information

Swartz™ Introducer Sheath with Hemostasis Valve and Sideport, Dilator and 180 cm Super Stiff Guidewire with Finger Straightenable 3 mm “J” (1 unit per box)

Reorder Number	Sheath French Size	Dilator French Size	Maximum Guidewire Diameter (in)	Curve Type	Sheath Usable Length (cm)	Dilator Usable Length (cm)
406948	8	8	.032	SL0™	63	67
406840	8	8	.032	SL1™	63	67
406841	8	8	.032	SL2™	63	67
406842	8	8	.032	SL3™	63	67
406843	8	8	.032	SL4™	63	67
406849	8.5	8.5	.032	SL1™	63	67
406850	8.5	8.5	.032	SL2™	63	67
406851	8.5	8.5	.032	SL3™	63	67
406852	8.5	8.5	.032	SL4™	63	67



Fast-Cath™ Transseptal Guiding
 Introducer Swartz™ SL Transseptal Series
 81 cm Length
 8 F

Access

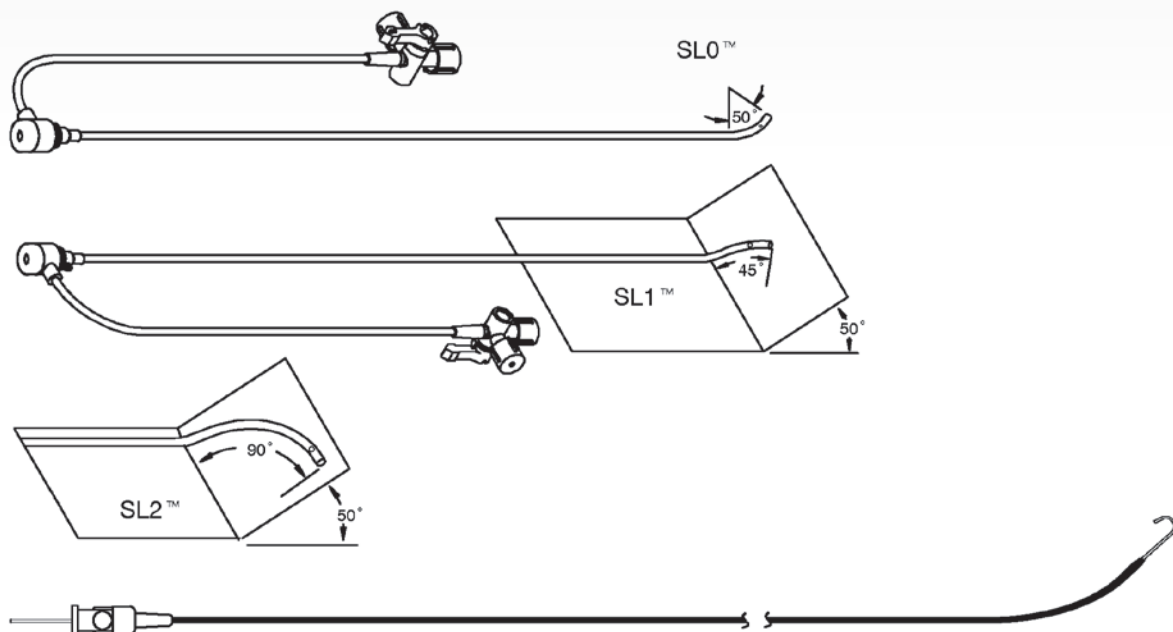
Product Highlights

- All of the advantages of Fast-Cath™ hemostasis introducer technology
- Sideholes and radiopaque tip marker at the distal end of the sheath
- Centimeter markings on the proximal portion of the dilator
- Accommodates an 89 cm BRK™ Transseptal Needle (Reorder Number 407205)

Ordering Information

Swartz™ Introducer Sheath with Hemostasis Valve and Sideport, Dilator and 180 cm Super Stiff Guidewire with Finger Straightenable 3 mm “J” (1 unit per box)

Reorder Number	Sheath French Size	Dilator French Size	Maximum Guidewire Diameter (in)	Curve Type	Sheath Usable Length (cm)	Dilator Usable Length (cm)
406949	8	8	.032	SL0™	81	85
407400	8	8	.032	SL1™	81	85
407401	8	8	.032	SL2™	81	85



Swartz™ Braided Transseptal Guiding Introducers LAMP™ Series

63 cm Length
8 F–8.5 F

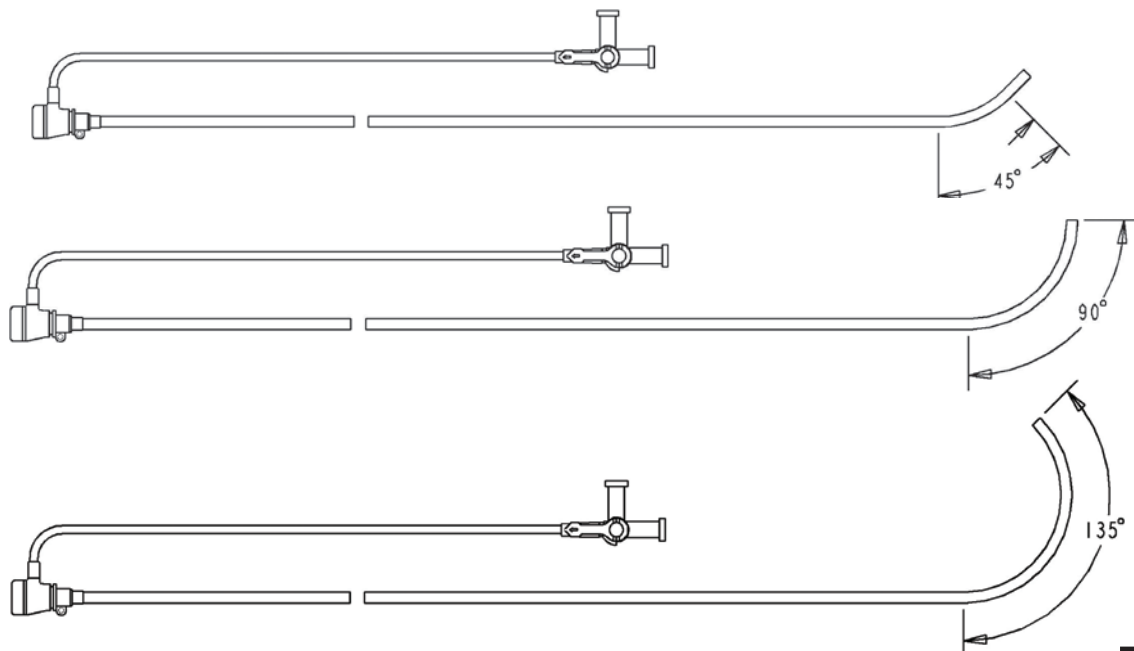
Product Highlights

- Braided sheath facilitates torquability, pushability and catheter stability
- Ultra-soft tip for atraumatic performance
- Three curve options available (LAMP™ 45, LAMP™ 90, LAMP™ 135) (LAMP = Left Atrial Multi Purpose)
- Smaller offset sideholes reduce likelihood of guidewire exiting sidehole
- Ultimium™ valve for effective hemostasis and minimal risk of air aspiration
- Accommodates a 71 cm BRK™ Transseptal Needle (Reorder Number 407205)

Ordering Information

Swartz™ Braided LAMP™ Transseptal Guiding Introducer Sheath with Hemostasis valve and Sideport, Dilator, and 180 cm Super Stiff Guidewire 3 mm “J” (1 unit per box)

Reorder Number	Sheath French Size	Dilator French Size	Maximum Guidewire Diameter (in)	Curve Type	Sheath Usable Length (cm)	Dilator Usable Length (cm)
407360	8	8	.032	LAMP™ 45	63	67
407362	8.5	8.5	.032	LAMP™ 45	63	67
407356	8	8	.032	LAMP™ 90	63	67
407358	8.5	8.5	.032	LAMP™ 90	63	67
407364	8	8	.032	LAMP™ 135	63	67
407366	8.5	8.5	.032	LAMP™ 135	63	67



Swartz™ Braided Transseptal
Guiding Introducers
SL Series
63 cm Length
8 F–8.5 F

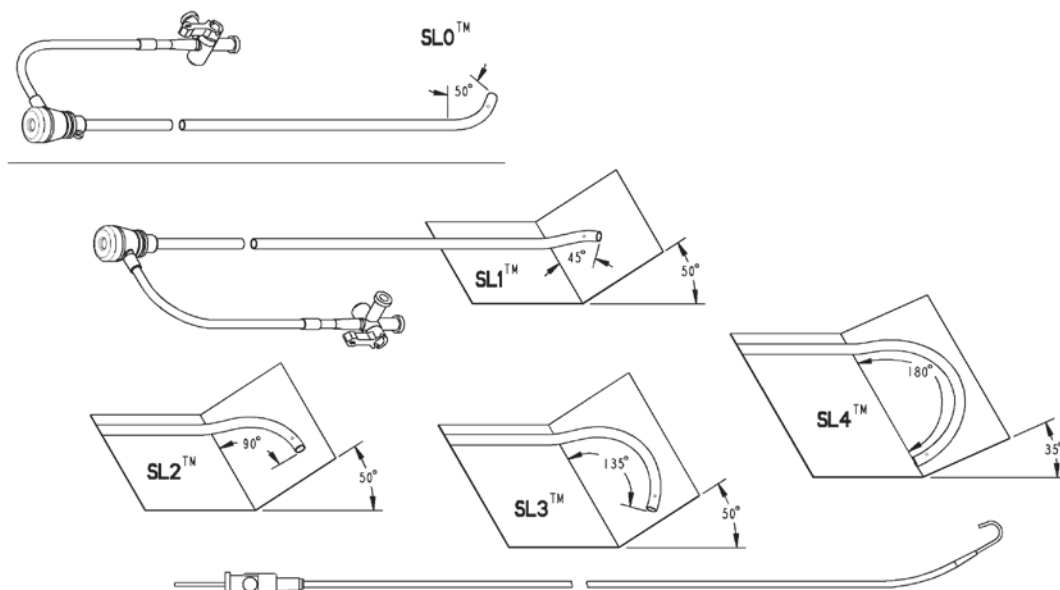
Product Highlights

- Braided sheath facilitates torqueability, pushability and catheter stability
- Ultra-soft tip for atraumatic performance
- Multiple curve options available
- Smaller offset sideholes reduce likelihood of guidewire exiting sidehole
- Ultimum™ valve for effective hemostasis and minimal risk of air aspiration
- Accommodates a 71 cm BRK™ Transseptal Needle (Reorder Number 407200 or 407201)

Ordering Information

Swartz™ Braided SL Transseptal Guiding Introducer Sheath with Hemostasis Valve and Sideport, Dilator, and 180 cm Super Stiff Guidewire with Finger Straightenable 3 mm “J” (1 unit per box)

Reorder Number	Sheath French Size	Dilator French Size	Maximum Guidewire Diameter (in)	Curve Type	Sheath Usable Length (cm)	Dilator Usable Length (cm)
407449	8	8	.032	SL0™	63	67
407439	8	8	.032	SL1™	63	67
407441	8	8	.032	SL2™	63	67
407443	8	8	.032	SL3™	63	67
407446	8	8	.032	SL4™	63	67
407451	8.5	8.5	.032	SL0™	63	67
407453	8.5	8.5	.032	SL1™	63	67
407455	8.5	8.5	.032	SL2™	63	67
407457	8.5	8.5	.032	SL3™	63 <td 67	
407459	8.5	8.5	.032	SL4™	63	67



Swartz™ Braided Transseptal Guiding
Introducers LAMP™ Series
81 cm Length
8 F–8.5

Access

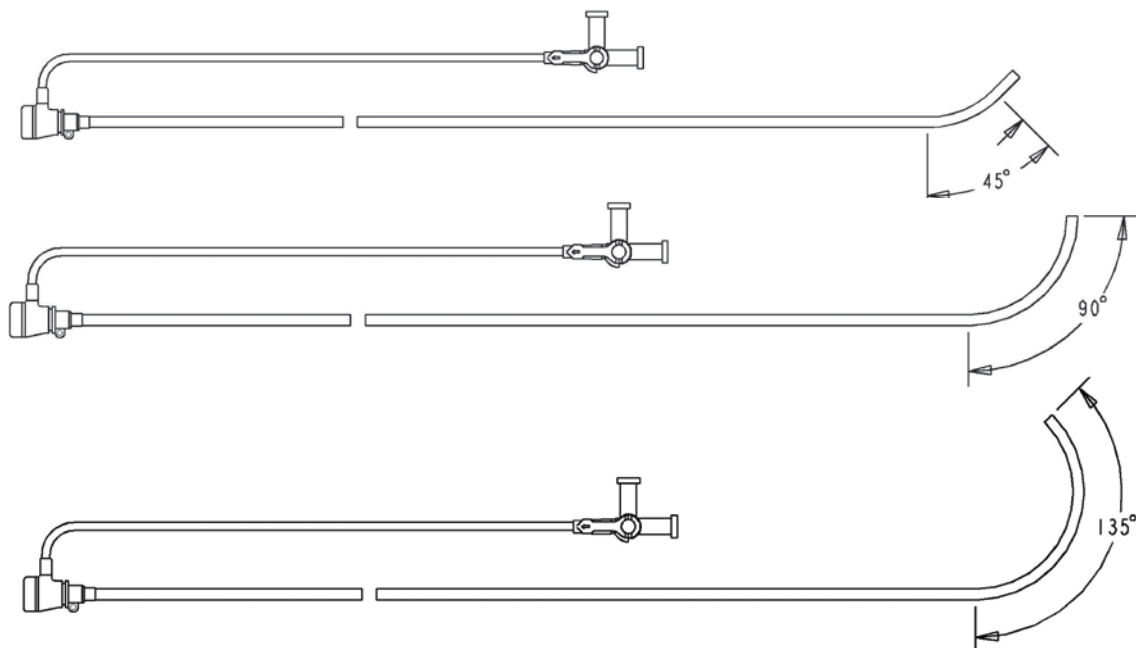
Product Highlights

- Braided sheath facilitates torquability, pushability and catheter stability
- Ultra-soft tip for atraumatic performance
- Three curve options available (LAMP™ 45, LAMP™ 90, LAMP™ 135) (LAMP = Left Atrial Multi Purpose)
- Smaller offset sideholes reduce likelihood of guidewire exiting sidehole
- Ultimium™ valve for effective hemostasis and minimal risk of air aspiration
- Accommodates an 89 cm BRK™ Transseptal Needle (Reorder Number 407205)

Ordering Information

Swartz™ Braided LAMP™ Transseptal Guiding Introducer Sheath with Hemostasis valve and Sideport, Dilator, and 180 cm Super Stiff Guidewire 3 mm “J” (1 unit per box)

Reorder Number	Sheath French Size	Dilator French Size	Maximum Guidewire Diameter (in)	Curve Type	Sheath Usable Length (cm)	Dilator Usable Length (cm)
407363	8.5	8.5	.032	LAMP™ 45	81	85
407359	8.5	8.5	.032	LAMP™ 90	81	85
407367	8.5	8.5	.032	LAMP™ 135	81	85



Swartz™ Braided Transseptal
Guiding Introducers
SL Series
81 cm Length
8 F–8.5 F

Access

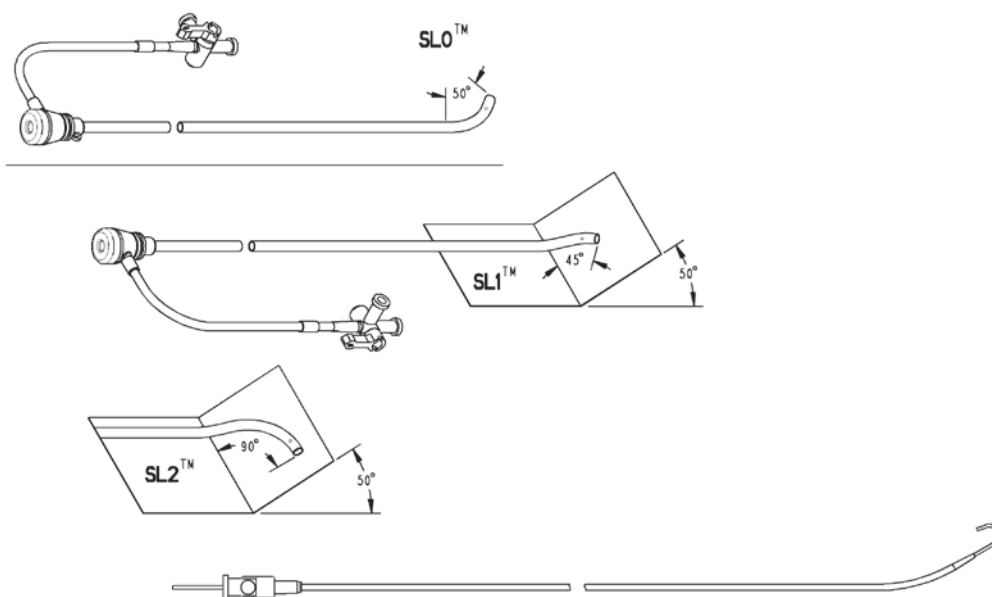
Product Highlights

- Braided sheath facilitates torqueability, pushability and catheter stability
- Ultra-soft tip for atraumatic performance
- Multiple curve options available
- Smaller offset sideholes reduce likelihood of guidewire exiting sidehole
- Ultimum™ valve for effective hemostasis and minimal risk of air aspiration
- Accommodates an 89 cm BRK™ Transseptal Needle (Reorder Number 407205)

Ordering Information

Swartz™ Braided SL Transseptal Guiding Introducer Sheath with Hemostasis Valve and Sideport, Dilator, and 180 cm Super Stiff Guidewire with Finger Straightenable 3 mm “J” (1 unit per box)

Reorder Number	Sheath French Size	Dilator French Size	Maximum Guidewire Diameter (in)	Curve Type	Sheath Usable Length (cm)	Dilator Usable Length (cm)
407450	8	8	.032	SLO™	81	85
407440	8	8	.032	SL1™	81	85
407452	8.5	8.5	.032	SLO™	81	85
407454	8.5	8.5	.032	SL1™	81	85
407456	8.5	8.5	.032	SL2™	81	85



Fast-Cath™ Guiding Introducers
 CSTA™ Series
 60 cm Sheath
 8 F–8.5 F

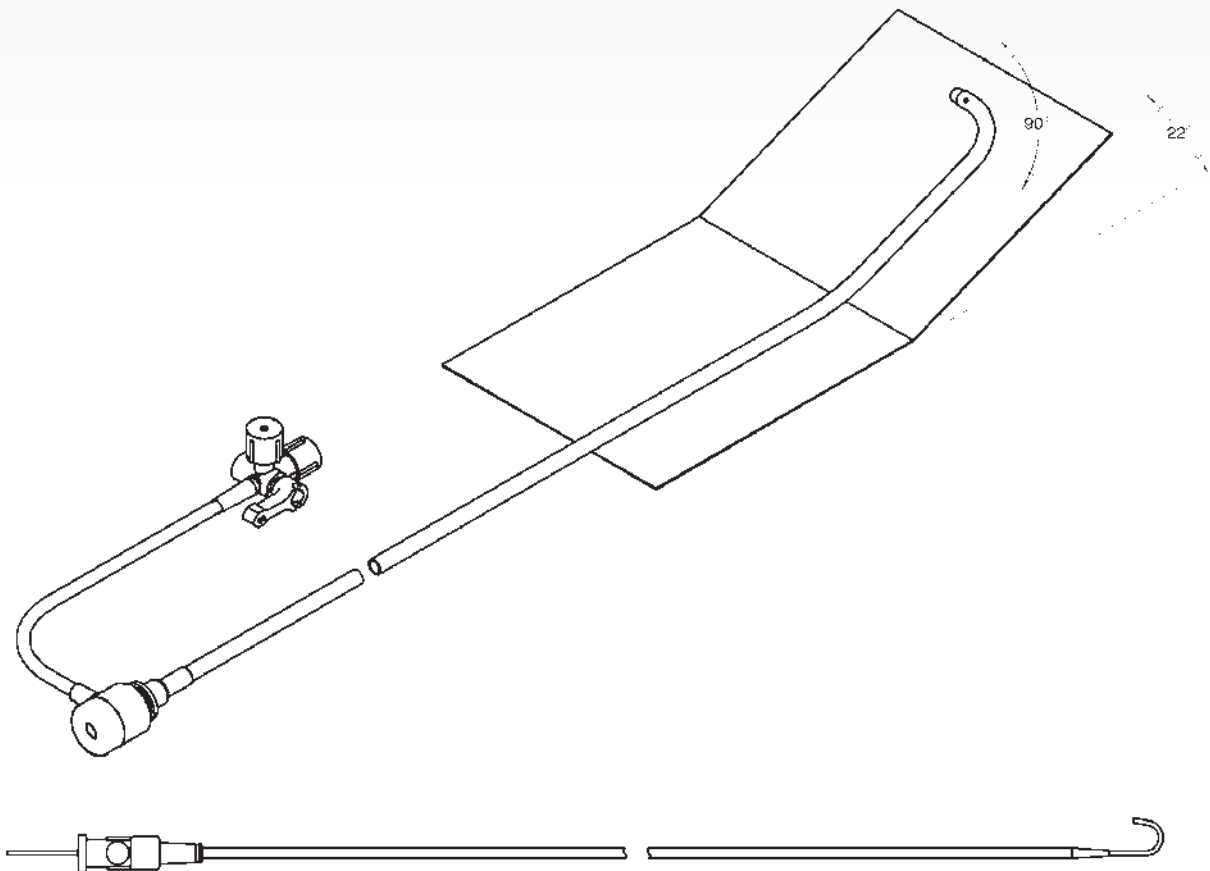
Product Highlights

- All of the advantages of Fast-Cath™ hemostasis introducer technology
- Side holes and radiopaque tip marker at the distal end of the sheath

Ordering Information

Introducer Sheath with Hemostasis Valve and Sideport, Dilator, and 145 cm Guidewire with 3 mm “J” (1 unit per box)

Reorder Number	French Size	Maximum Guidewire Diameter (in)	Sheath Usable Length (cm)
406872	8	.038	60
406870	8.5	.038	60



Fast-Cath™ Guiding Introducers
 RAMP™ Series
 60 cm Sheath
 8 F–8.5 F

Access

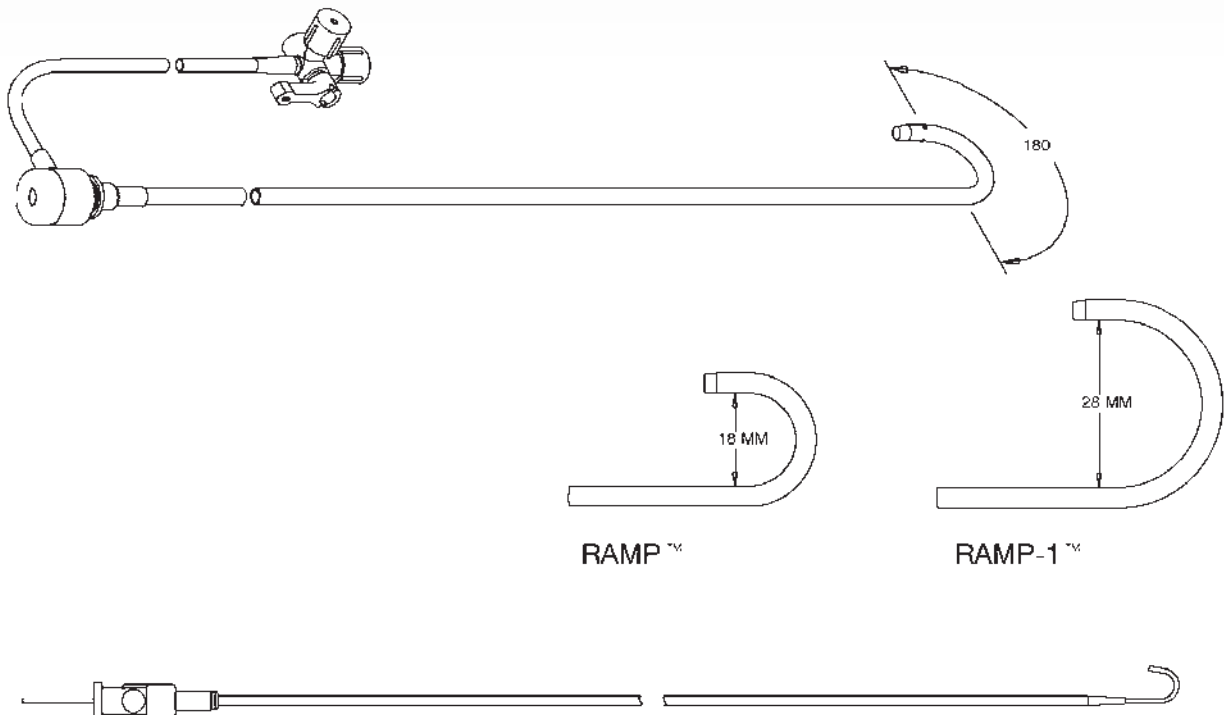
Product Highlights

- All of the advantages of Fast-Cath™ hemostasis introducer technology
- Sideholes and radiopaque tip marker at the distal end of the sheath
- Larger curve diameter of RAMP-1™ model accommodates larger ablation electrodes

Ordering Information

Introducer Sheath with Hemostasis Valve and Sideport, Dilator, and 145 cm Guidewire with 3 mm “J” (1 unit per box)

Reorder Number	French Size	Maximum Guidewire Diameter (in)	Curve Type	Curve Diameter (mm)	Sheath Usable Length (cm)
406898	8	.038	RAMP™	18	60
406965	8.5	.038	RAMP™	18	60
406943	8	.038	RAMP-1™	28	60
406975	8.5	.038	RAMP-1™	28	60



Fast-Cath™ Guiding Introducers
SAFL™ Series
60 cm Sheath
8 F–8.5 F

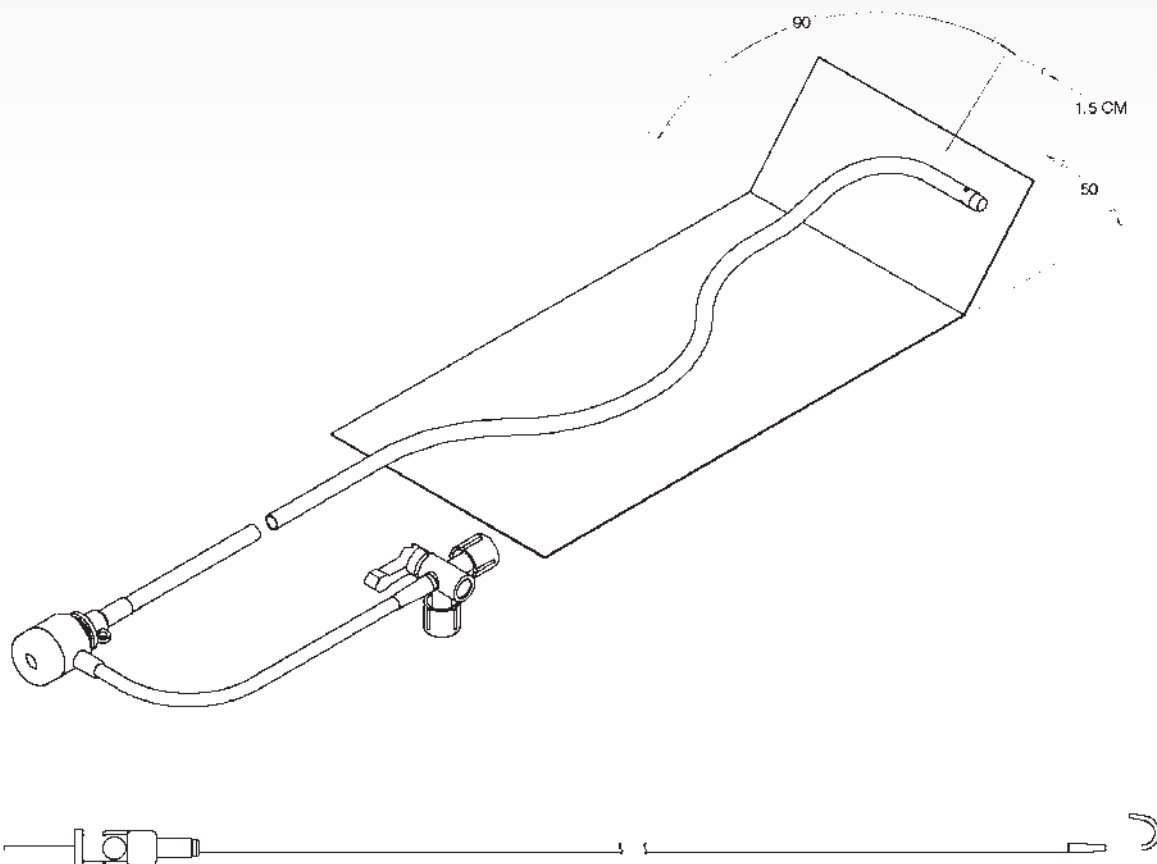
Product Highlights

- All of the advantages of Fast-Cath™ hemostasis introducer technology
- Side holes and radiopaque tip marker at the distal end of the sheath

Ordering Information

Introducer Sheath with Hemostasis Valve and Sideport, Dilator, and 145 cm Guidewire with 3 mm “J”. (1 unit per box)

Reorder Number	French Size	Maximum Guidewire Diameter (in)	Sheath Usable Length (cm)
406871	8	.038	60
406868	8.5	.038	60



Fast-Cath™ Guiding Introducers
SEPT™ Series
60 cm Sheath
8 F–8.5 F

Access

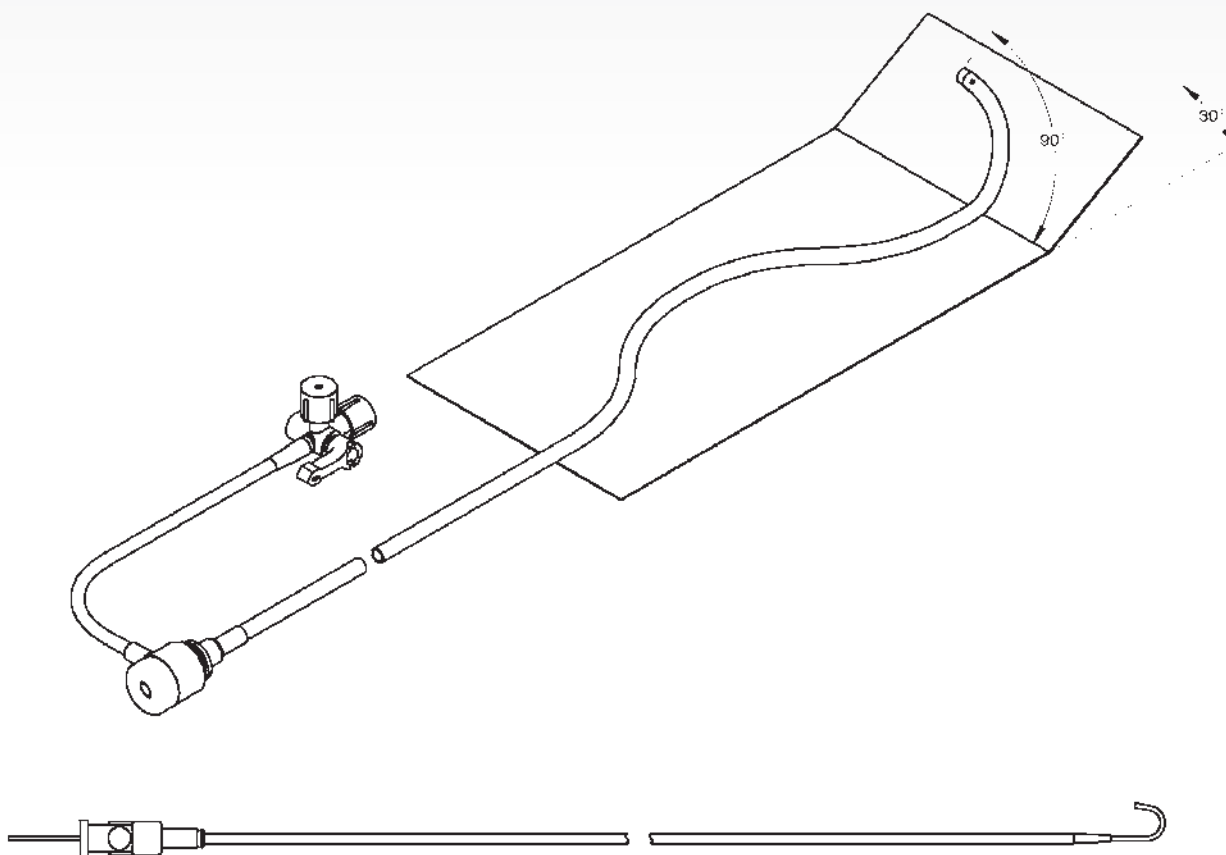
Product Highlights

- All of the advantages of Fast-Cath™ hemostasis introducer technology
- Side holes and radiopaque tip marker at the distal end of the sheath

Ordering Information

Introducer Sheath with Hemostasis Valve and Sideport, Dilator, and 145 cm Guidewire with 3 mm “J” (1 unit per box)

Reorder Number	French Size	Maximum Guidewire Diameter (in)	Sheath Usable Length (cm)
406885	8	.038	60
406894	8.5	.038	60



Fast-Cath™ Guiding Introducers
 Swartz™ SR™ Series
 63 cm Length
 8 F–8.5 F

Access

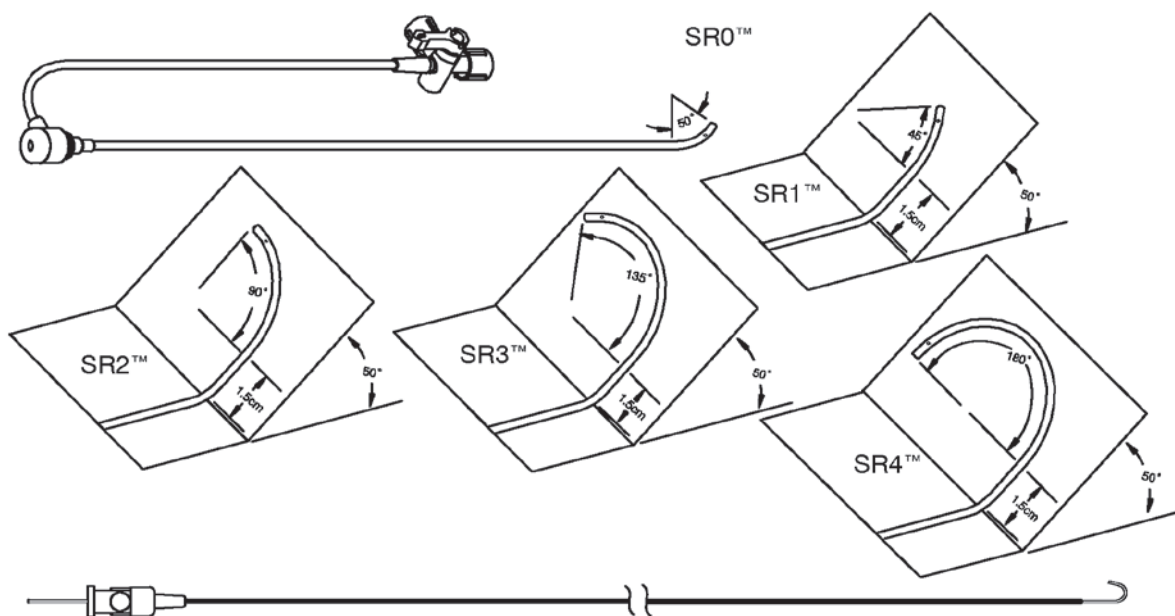
Product Highlights

- All of the advantages of Fast-Cath™ hemostasis introducer technology
- Sideholes and radiopaque tip marker at the distal end of the sheath

Ordering Information

Swartz™ Introducer Sheath with Hemostasis Valve and Sideport, Dilator, and 145 cm Guidewire with Finger Straightenable 3 mm “J” (1 unit per box)

Reorder Number	Sheath French Size	Dilator French Size	Maximum Guidewire Diameter (in)	Curve Type	Sheath Usable Length (cm)
406844	8	8	.038	SR0™	63
406845	8	8	.038	SR1™	63
406846	8	8	.038	SR2™	63
406847	8	8	.038	SR3™	63
406848	8	8	.038	SR4™	63
406853	8.5	8.5	.038	SR0™	63
406854	8.5	8.5	.038	SR1™	63
406855	8.5	8.5	.038	SR2™	63
406856	8.5	8.5	.038	SR3™	63
406857	8.5	8.5	.038	SR4™	63



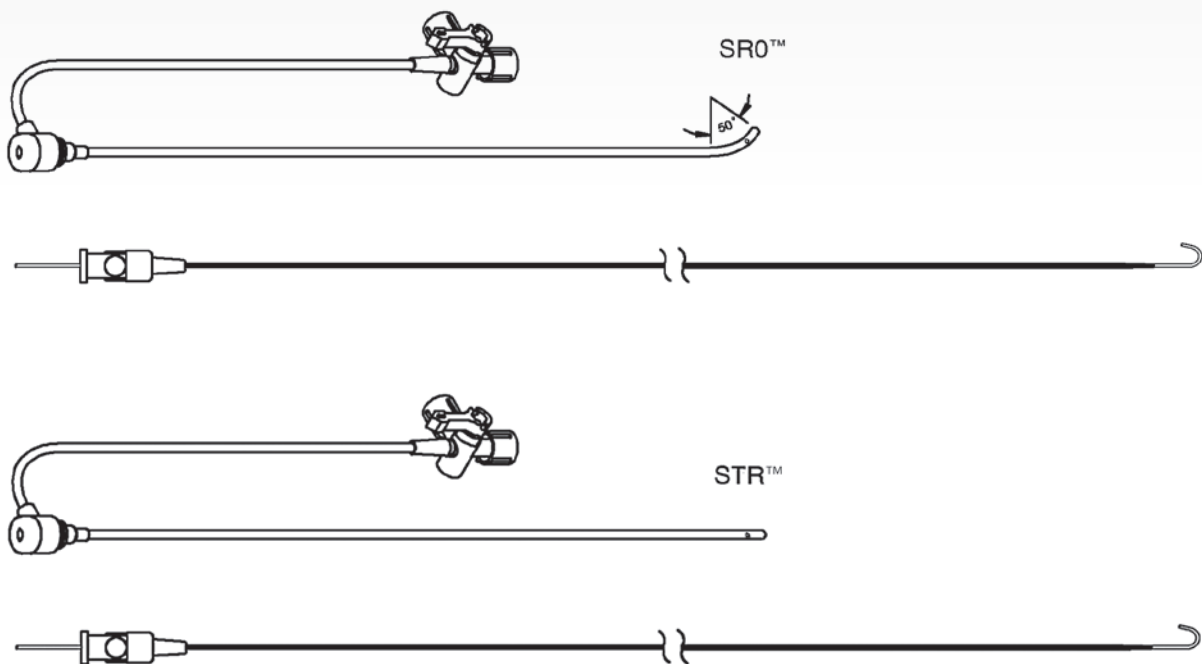
Product Highlights

- All of the advantages of Fast-Cath™ hemostasis introducer technology
- Side holes and radiopaque tip marker at the distal end of the sheath

Ordering Information

Introducer Sheath with Hemostasis Valve and Sideport, Dilator, and Guidewire with Finger Straightenable 3 mm “J” (1 unit per box)

Reorder Number	Sheath French Size	Dilator French Size	Guidewire Length and Type	Maximum Guidewire Diameter (in)	Curve Type	Sheath Usable Length (cm)	Dilator Usable Length (cm)
406976	8.5	8.5	145 cm	.038	Straight	63	67
406967	10	10	145 cm	.038	SR0™	63	67



Fast-Cath™ Guiding Introducers
Swartz™ SR Series
81 cm Length
8 F

Product Highlights

- Usable sheath length extended to 81 cm
- All of the advantages of Fast-Cath™ hemostasis introducer technology
- Sideholes and radiopaque tip marker at the distal end of the sheath

Ordering Information

Swartz™ Introducer Sheath with Hemostasis Valve and Sideport, Dilator, and 180 cm Guidewire with Finger Straightenable 3 mm “J” (1 unit per box)

Reorder Number	Sheath French Size	Dilator French Size	Maximum Guidewire Diameter (in)	Curve Type	Sheath Usable Length (cm)
407405	8	8	.038	SR1™	81
407406	8	8	.038	SR2™	81

