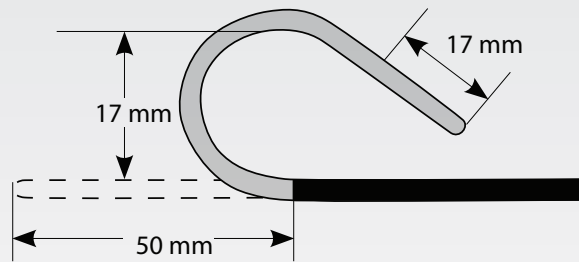
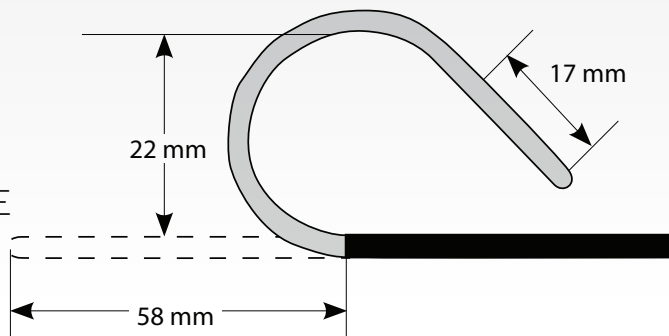


Therapy™ Ablation Catheter (4 & 8 mm uni-directional) and Therapy™ Dual-8™ Ablation Catheter (8 mm uni-directional) Curve Reference

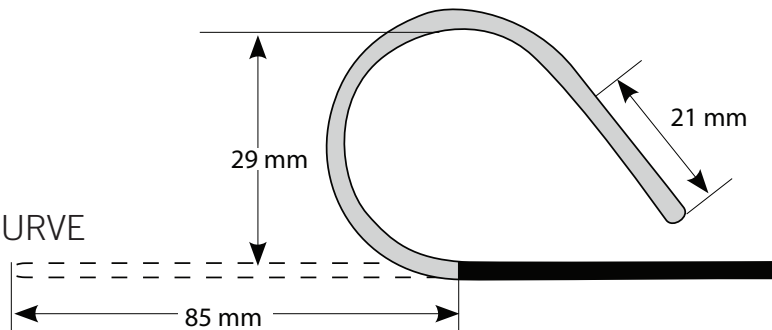
SMALL CURVE



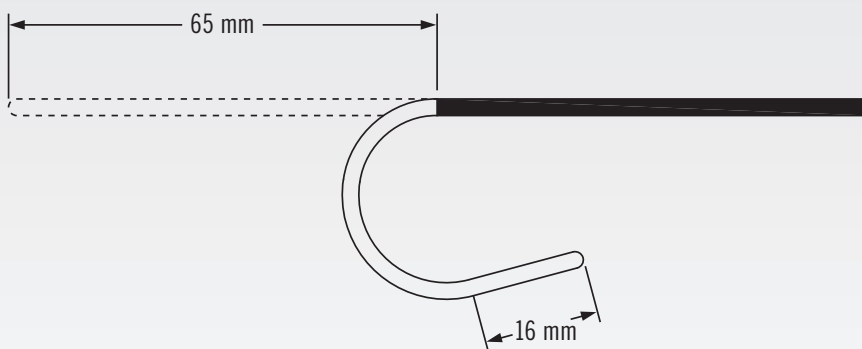
MEDIUM CURVE



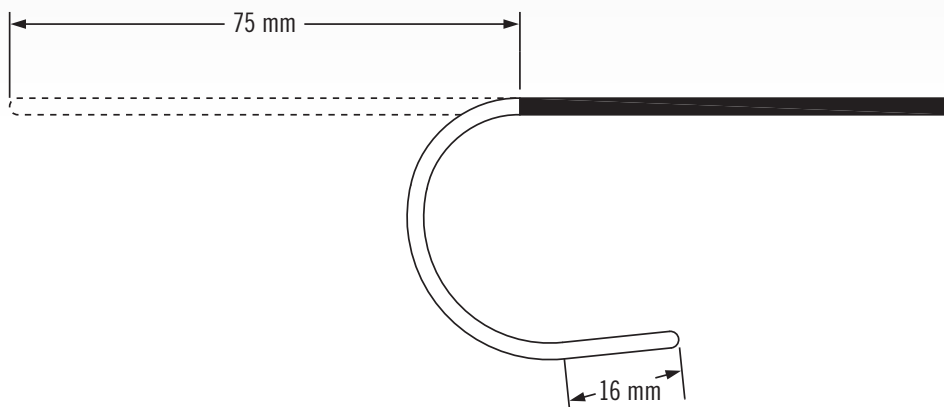
LARGE CURVE



Uni-Directional 65

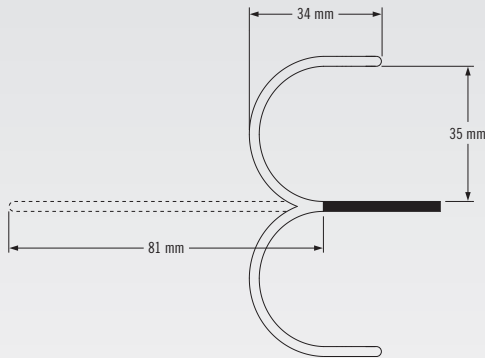


Uni-Directional 75

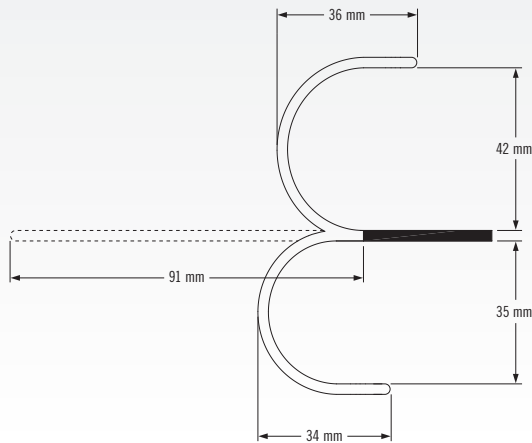


FlexAbility™ Ablation Catheter
 Bi-Directional Curve Reference
 FlexAbility™ Irrigated Ablation Catheter,
 Sensor Enabled™
 TactiCath™ Contact Force Ablation Catheter,
 Sensor Enabled™
 Curve Reference

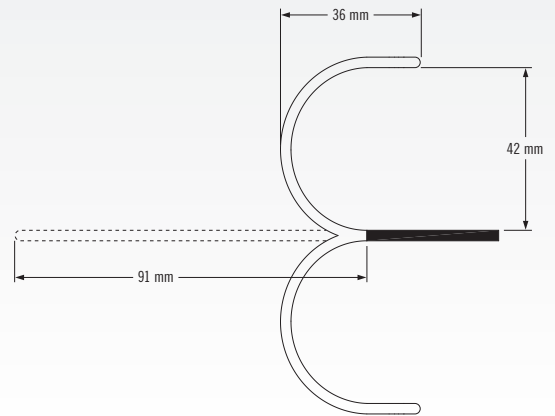
Bi-Directional Curve D-D



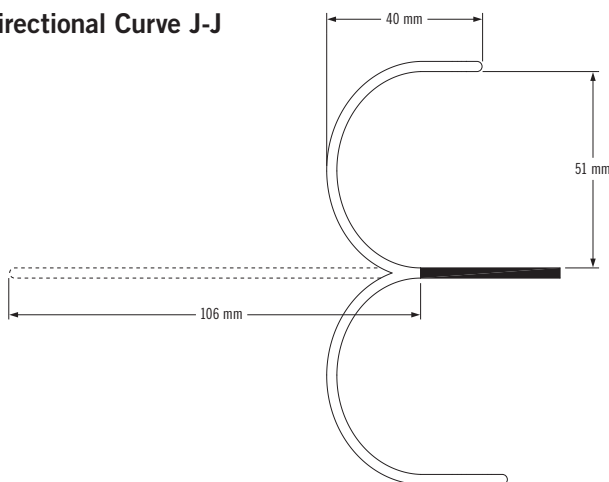
Bi-Directional Curve D-F



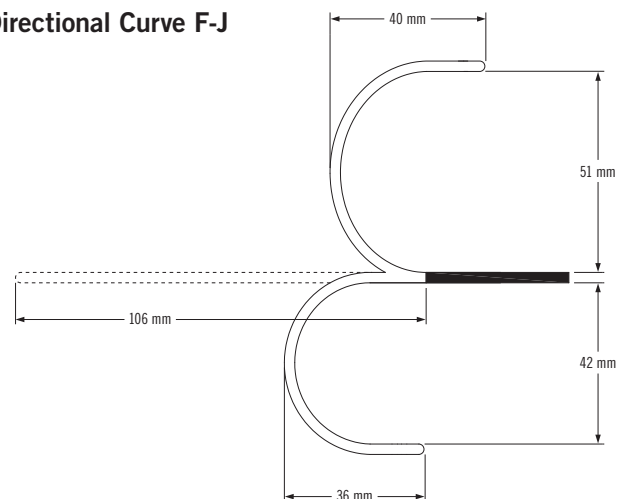
Bi-Directional Curve F-F



Bi-Directional Curve J-J



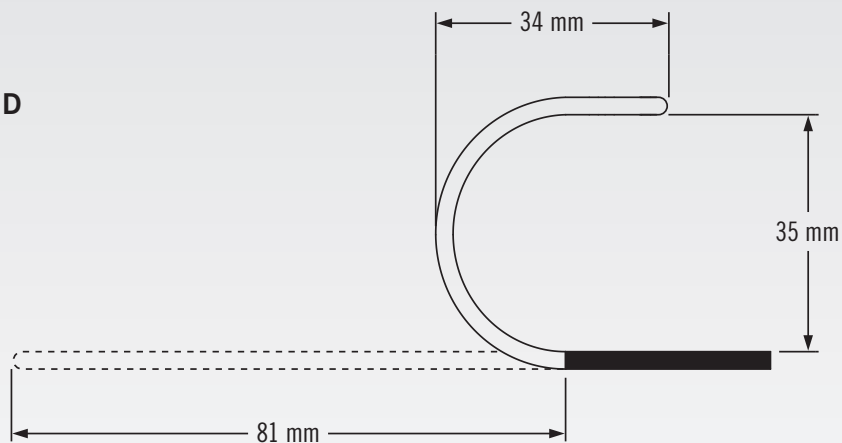
Bi-Directional Curve F-J



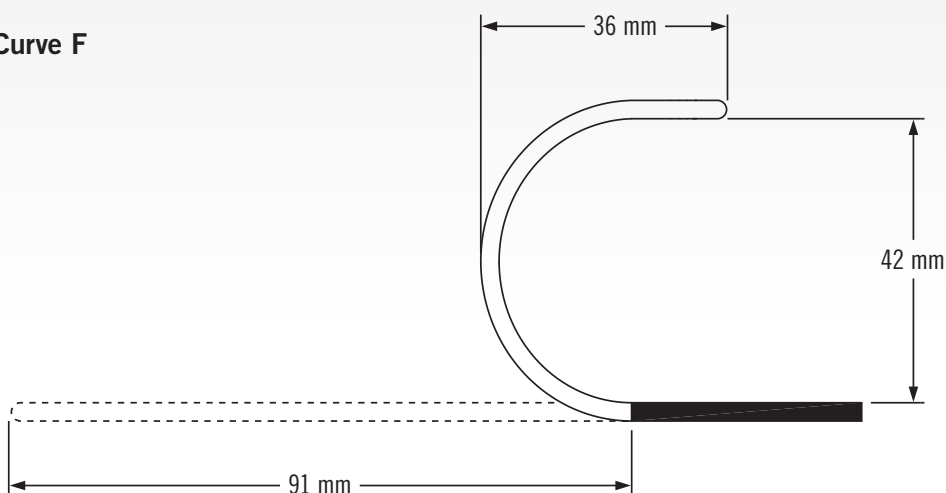
FlexAbility™ Ablation Catheter
Uni-Directional Curve Reference
FlexAbility™ Irrigated Ablation Catheter,
Sensor Enabled™
TactiCath™ Contact Force Ablation Catheter,
Sensor Enabled™
Curve Reference

Curve Reference

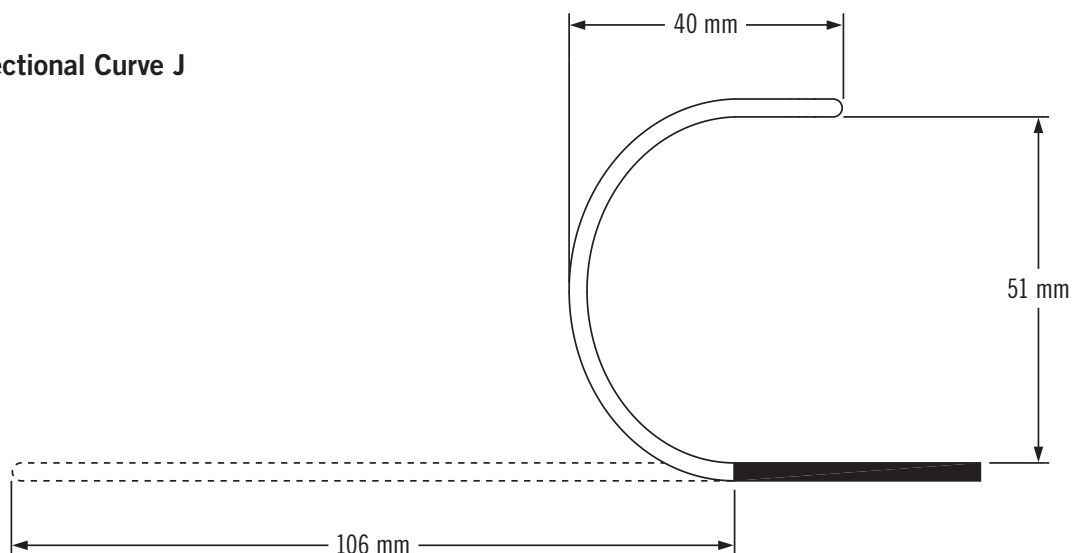
Uni-Directional Curve D



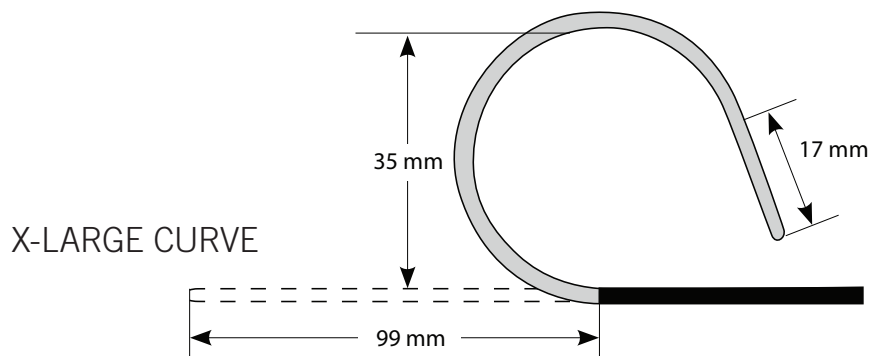
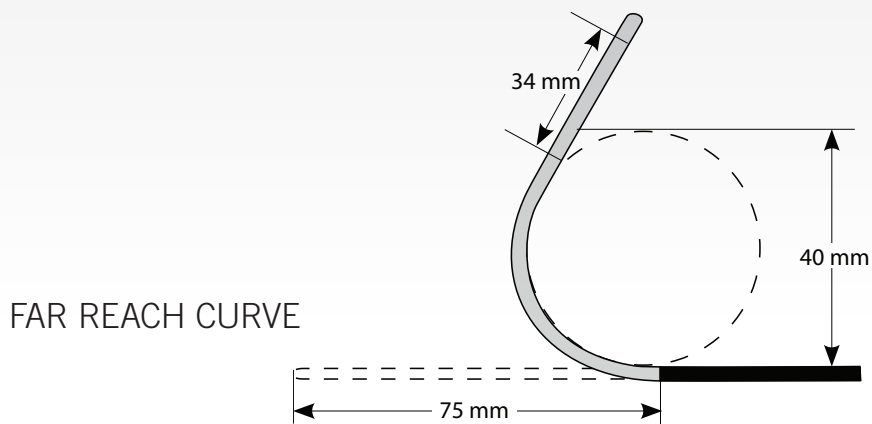
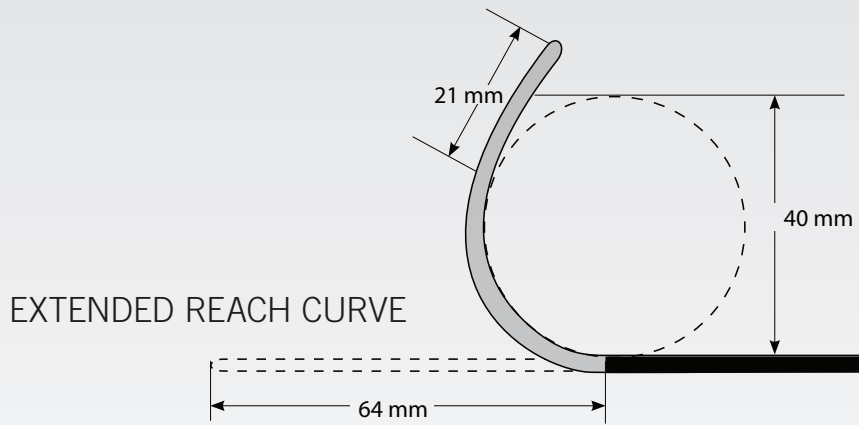
Uni-Directional Curve F

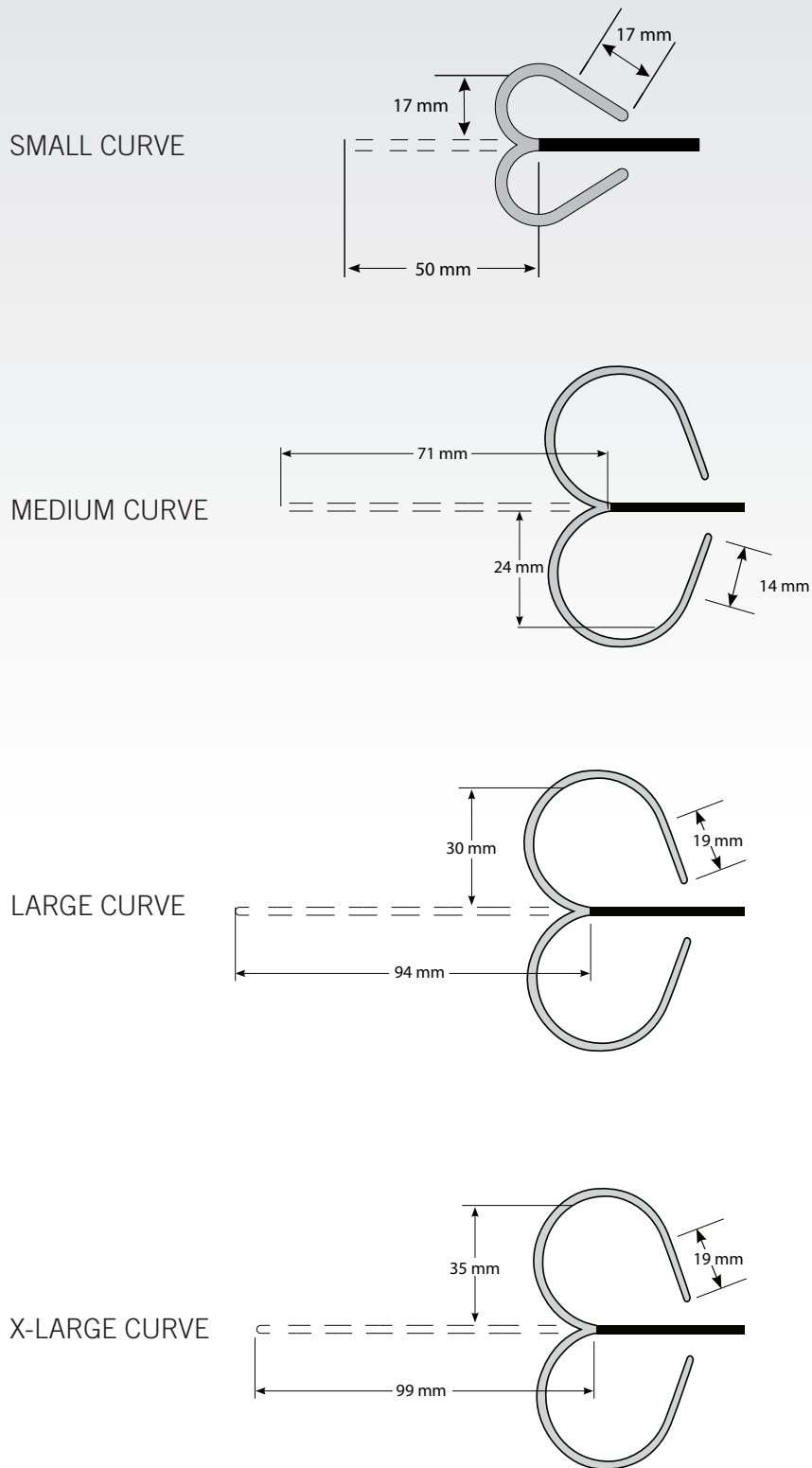


Uni-Directional Curve J

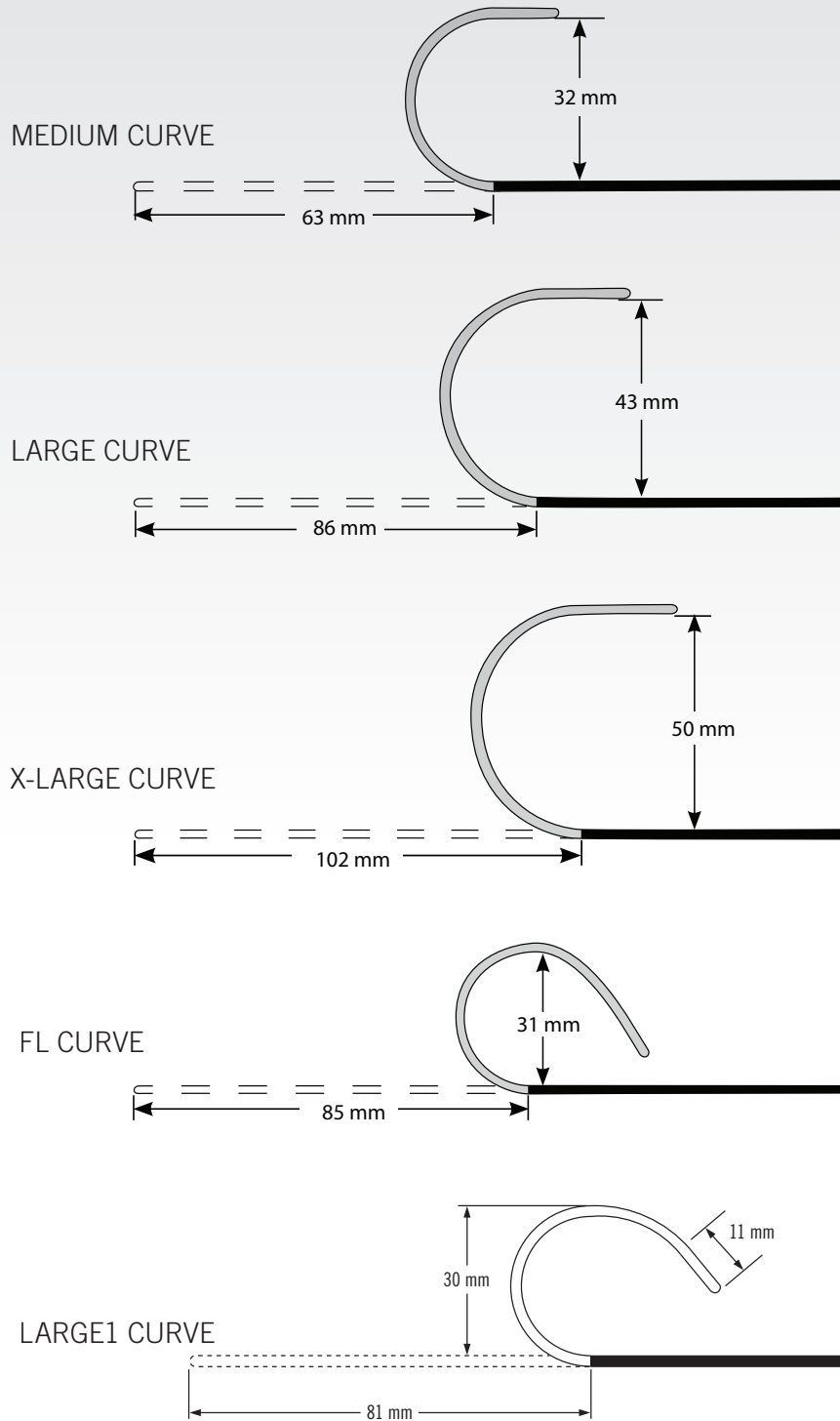


Therapy™ Ablation Catheter
(4 & 8 mm) and
Therapy™ Dual-8™ Ablation Catheter
(8 mm uni-directional)
Curve Reference



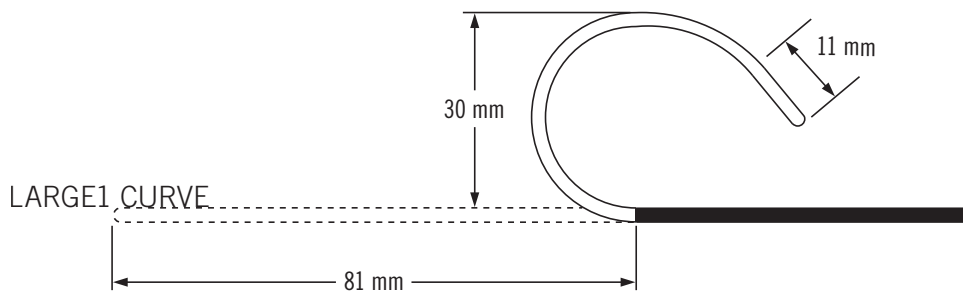
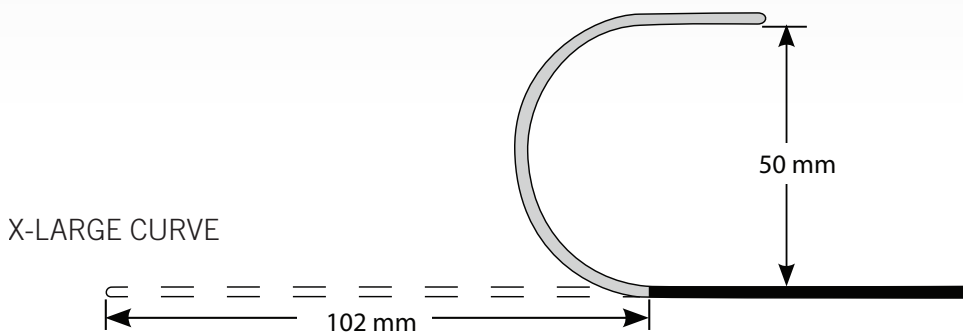
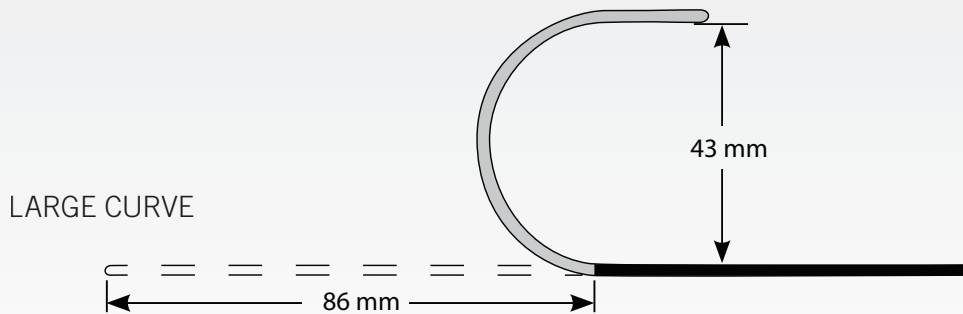
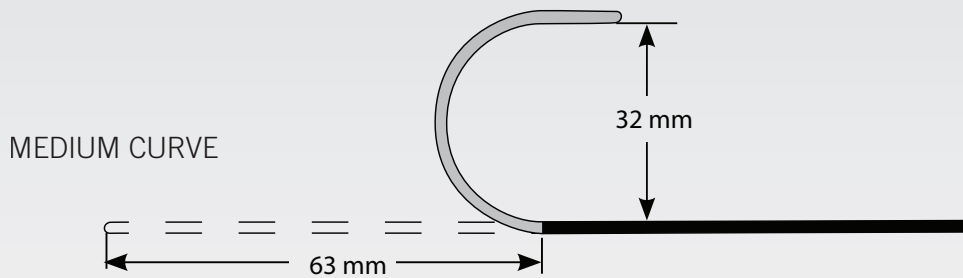


Therapy™ Cool Path™
Irrigated Ablation Catheter
(2 & 4 mm uni-directional)
Curve Reference

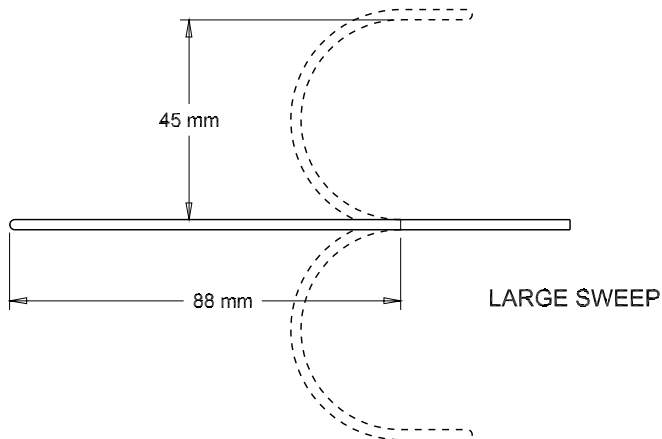
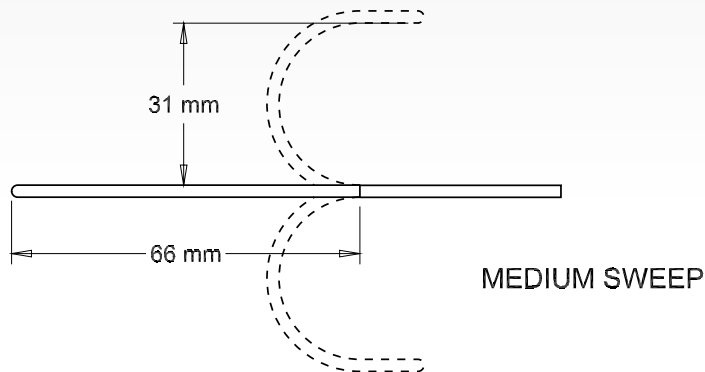
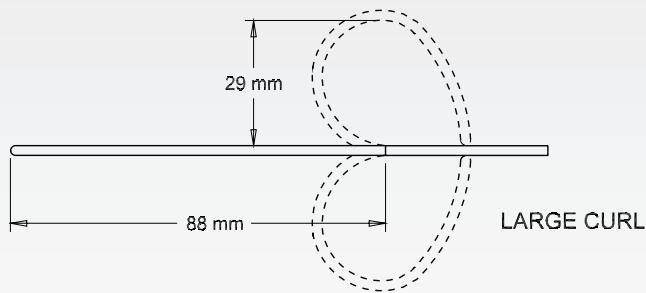
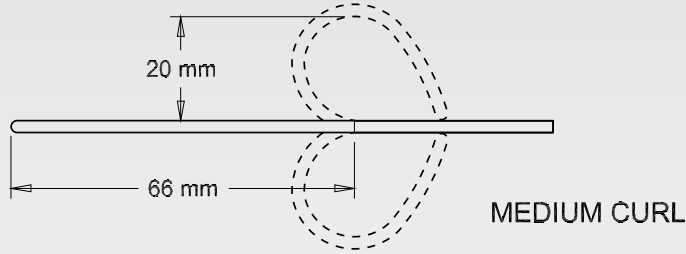


Therapy™ Cool Path™ Duo, Therapy™
Cool Flex™ and Contact™ Therapy™
Cool Path™ Duo Ablation Catheters
4 mm Tip
Curve Reference

Curve Reference



Therapy™ Cool Path™ Duo
Ablation Catheters (Bi-directional)
4 mm Tip
Curve Reference



Therapy™ Ablation Catheters
 4 & 8 mm Tip Thermocouple Triflex
 Quadripolar
 7 F

Standard Ablation Catheters

Product Highlights

- Bi-directional steering
- Thermocouple temperature measurement
- Push/pull handle
- Three shaft sections with gradually increasing softness (braided proximal shaft, semi-soft middle shaft, soft deflectable tip section)

Ordering Information

7 F ablation catheter (1 unit per box)

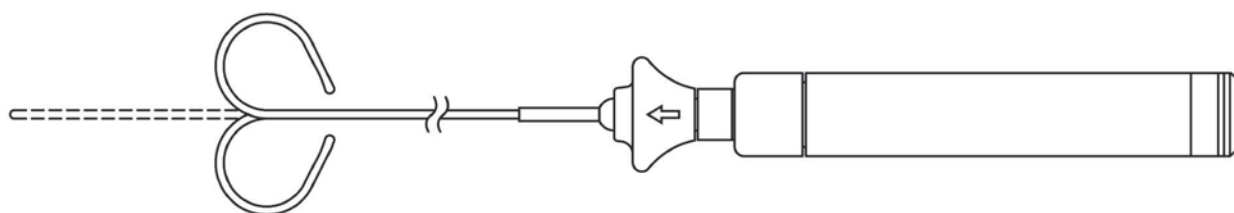
Reorder Number	Description	Electrode Spacing (mm)	Tip Electrode (mm)	Band Electrode (mm)	Curve Type
IBI-83701	1304-7-25-M-BD	2-5-2	4	2	Medium
IBI-83702	1304-7-25-L-BD	2-5-2	4	2	Large
IBI-83703	1304-7-25-S-BD	2-5-2	4	2	Small
IBI-83704	1304-7-25-L-TE8-BD	2-5-2	8	2	Large
IBI-83707	1304-7-25-M-TE8-BD	2-5-2	8	2	Medium
IBI-83708	1304-7-25-XL-TE8-BD	2-5-2	8	2	X-Large

Required Catheter Connecting Cable – Page 35

SJM: IBI-85641

Stockert: IBI-85713, IBI-85709

Medtronic: IBI-85711, IBI-85708



Therapy™ Dual-8™ Ablation Catheters
 8 mm Tip Dual Thermocouple
 Quadripolar
 7 F

Standard Ablation Catheters

Product Highlights

- Uni-directional steering
- 8 mm tip electrode with two thermocouples
- High power option up to 100 watts
- Push/pull handle

Ordering Information

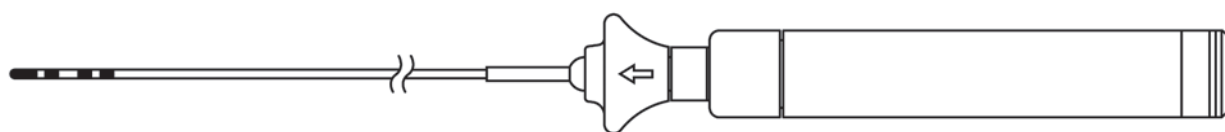
7 F ablation catheter (1 unit per box)

Reorder Number	Description	Electrode Spacing (mm)	Tip Electrode (mm)	Band Electrode (mm)	Curve Type	Usable Length (cm)
IBI-83421	1304-7-2-M-TE8TC2	2	8	2	Medium	110
IBI-83422	1304-7-25-M-TE8TC2	2-5-2	8	2	Medium	110
IBI-83424	1304-7-2-L-TE8TC2	2	8	2	Large	110
IBI-83425	1304-7-25-L-TE8TC2	2-5-2	8	2	Large	110

Required Catheter Connecting Cable – Page 35

SJM: IBI-85641

Stockert: IBI-85739



Therapy™ Ablation Catheters

4 mm Tip Thermocouple

5 F

Product Highlights

- Uni-directional steering
- Thermocouple temperature measurement
- Push/pull handle

Ordering Information

5 F Quadripolar catheter (1 unit per box)

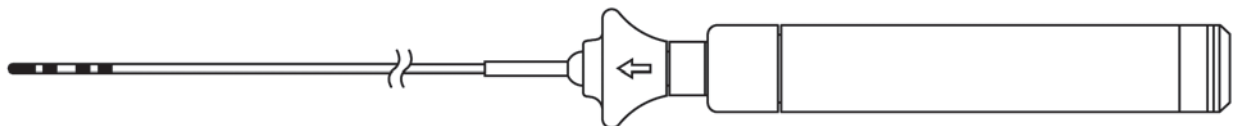
Reorder Number	Description	Electrode Spacing (mm)	Tip Electrode (mm)	Band Electrode (mm)	Curve Type
IBI-83351	1304-5-25-M-TE4BE1 (SOFT)	2-5-2	4	1	Medium
IBI-83403	1304-5-2-S-TE4BE1	2	4	1	Small

Required Catheter Connecting Cable – Page 35

SJM: IBI-85641

Stockert: IBI-85713, IBI-85709

Medtronic: IBI-85711, IBI-85708



Therapy™ Ablation Catheters 4 & 8 mm Tip Thermocouple Triflex Quadripolar 7 F

Product Highlights

- Uni-directional steering
- 4 mm tip with one thermocouple; 8 mm tip with two thermocouples
- Push/pull handle
- Three shaft sections with gradually increasing softness (braided proximal shaft, semi-soft middle shaft, soft deflectable tip section)

Ordering Information

7 F ablation catheter (1 unit per box)

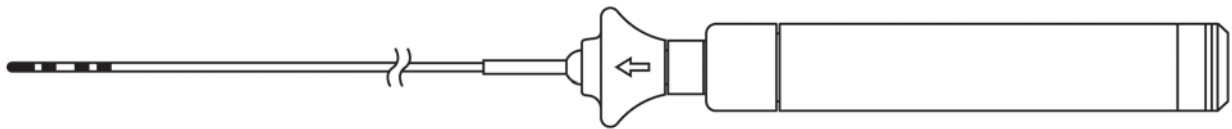
Reorder Number	Description	Electrode Spacing (mm)	Tip Electrode (mm)	Band Electrode (mm)	Curve Type	Usable Length (cm)
IBI-83510	1304-7-25-M-TF	2-5-2	4	2	Medium	110
IBI-83513	1304-7-25-S-TF	2-5-2	4	2	Small	110
IBI-83516	1304-7-25-L-TF	2-5-2	4	2	Large	110
IBI-83542	1304-7-25-L-TE8TC2-TF	2-5-2	8	2	Large	110
IBI-83543	1304-7-25-XL-TE8TC2-TF	2-5-2	8	2	X-Large	110
IBI-83545	1304-7-25-M-TE8TC2-TF	2-5-2	8	2	Medium	110
IBI-83552	1304-7-25-M-TH-TF(90)	2-5-2	4	2	Medium	90

Required Catheter Connecting Cable – Page 35

SJM: IBI-85641

Stockert: IBI-85713, IBI-85709

Medtronic: IBI-85711, IBI-85708



Therapy™ Ablation Catheters
4 & 8 mm Tip Thermistor
Quadripolar
7 F

Product Highlights

- Uni-directional steering
- Thermistor temperature measurement
- Compatible with EPT-1000 XP generator
- Push/pull handle

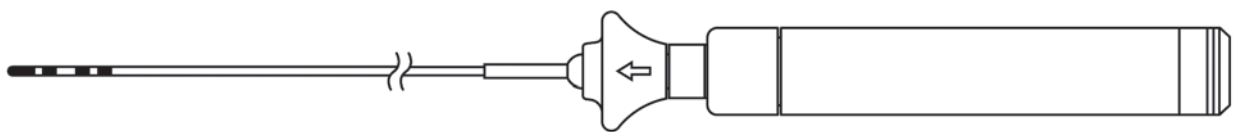
Ordering Information

7 F ablation catheter (1 unit per box)

Reorder Number	Description	Electrode Spacing (mm)	Tip Electrode (mm)	Band Electrode (mm)	Curve Type	Usable Length (cm)
IBI-83453	1304-7-25-S-TH	2-5-2	4	2	Small	110
IBI-83456	1304-7-25-M-TH	2-5-2	4	2	Medium	110
IBI-83459	1304-7-25-L-TH	2-5-2	4	2	Large	110
IBI-83477	1304-7-25-L-TE8-TH	2-5-2	8	2	Large	110
IBI-83481	1304-7-25-XL-TE8-TH	2-5-2	8	2	X-Large	110

Required Catheter Connecting Cable – Page 35

EPT: IBI-85763



Therapy™ Ablation Catheters
4 & 8 mm Tip Thermocouple
Quadripolar
7 F

Standard Ablation Catheters

Product Highlights

- Uni-directional steering
- Thermocouple temperature measurement
- Push/pull handle

Ordering Information

7 F ablation catheter (1 unit per box)

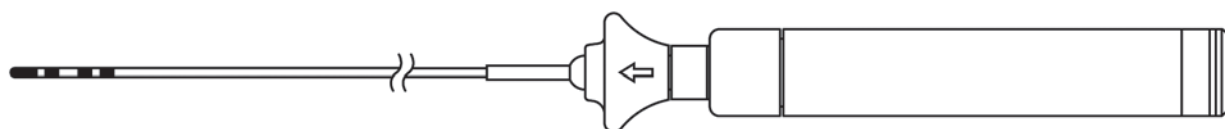
Reorder Number	Description	Electrode Spacing (mm)	Tip Electrode (mm)	Band Electrode (mm)	Curve Type	Usable Length (cm)
IBI-83302	1304-7-25-M-TE8	2-5-2	8	2	Medium	110
IBI-83306	1304-7-25-L-TE8	2-5-2	8	2	Large	110
IBI-83309	1304-7-25-L-TE8A	2-5-2	8	2	Large	110
IBI-83311	1304-7-25-XL-TE8A	2-5-2	8	2	X-Large	110
IBI-83312	1304-7-25-XL-TE8	2-5-2	8	2	X-Large	110
IBI-83404	1304-7-2-M	2	4	2	Medium	110
IBI-83405	1304-7-25-M	2-5-2	4	2	Medium	110
IBI-83408	1304-7-25-L	2-5-2	4	2	Large	110
IBI-83411	1304-7-25-E	2-5-2	4	2	Extended Reach	110
IBI-83417	1304-7-25-XL	2-5-2	4	2	X-Large	110
IBI-83432	1304-7-25-S	2-5-2	4	2	Small	110

Required Catheter Connecting Cable – Page 35

SJM: IBI-85641

Stockert: IBI-85713, IBI-85709

Medtronic: IBI-85711, IBI-85708



Product Highlights

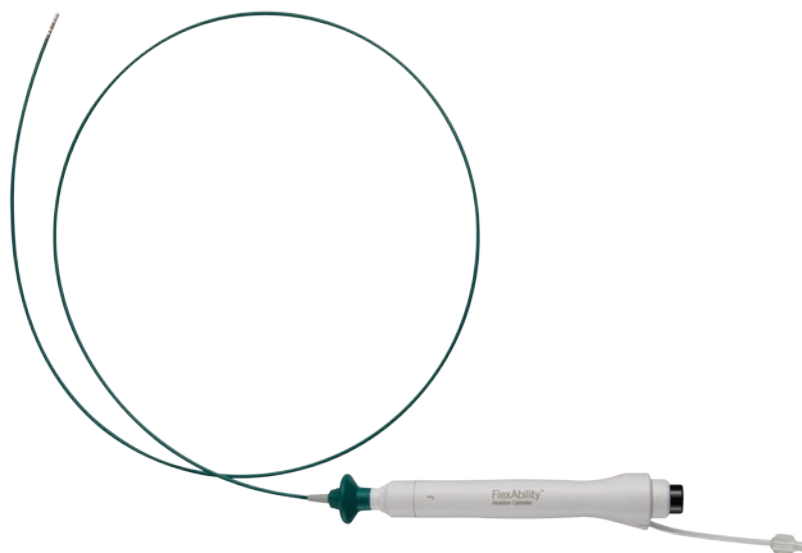
- Combines the unique flexible tip on the market with a handle and shaft designed to accurately navigate within the heart^{1,2}
- D, F and J curve options
- Symmetric or asymmetric options

Ordering Information

8 F irrigated ablation catheter

Reorder Number	Description	Curve	French Size	Electrode Spacing (mm)	Tip Electrode (mm)	Length (cm)
A701124	Bi-D Irrigated Ablation Catheter (4-hole)	D-D	8	1-4-1	4	115
A701125	Bi-D Irrigated Ablation Catheter (4-hole)	D-F	8	1-4-1	4	115
A701127	Bi-D Irrigated Ablation Catheter (4-hole)	F-F	8	1-4-1	4	115
A701128	Bi-D Irrigated Ablation Catheter (4-hole)	F-J	8	1-4-1	4	115
A701129	Bi-D Irrigated Ablation Catheter (4-hole)	J-J	8	1-4-1	4	115
A701157	Uni-D Irrigated Ablation Catheter (4-hole)	D	8	1-4-1	4	115
A701158	Uni-D Irrigated Ablation Catheter (4-hole)	F	8	1-4-1	4	115
A701159	Uni-D Irrigated Ablation Catheter (4-hole)	J	8	1-4-1	4	115

Required Catheter Connecting Cable: Model 1641



1. Abbott. Data on File. Report 90210281.
2. Abbott. Data on File. Report 90115246.

The FlexAbility™ Ablation Catheter is intended for use with the compatible irrigation pump and a compatible RF cardiac ablation generator. The catheter is intended for creating focal lesions during cardiac ablation procedures (mapping, stimulation, and ablation) for the treatment of arrhythmias. Epicardial ablation should be limited to appropriately selected patients with ventricular tachycardia.

Product Highlights

- Combines the unique flexible tip with a handle and shaft designed to accurately navigate within the heart^{1,2}
- D, F and J curve options
- Symmetric or asymmetric options
- Ergonomic uni- and bi-directional handles are designed for consistent performance and fatigue reducing enhancements.*²
- Integrates with EnSite Precision™ cardiac mapping system and MediGuide™ Technology

Ordering Information

8 F irrigated ablation catheter

Reorder Number	Description	Curve	French Size	Electrode Spacing (mm)	Tip Electrode (mm)	Length (cm)
A-FASE-DD	Sensor Enabled™ Bi-D Irrigated Ablation Catheter	D-D	8	1-4-1	4	115
A-FASE-DF	Sensor Enabled™ Bi-D Irrigated Ablation Catheter	D-F	8	1-4-1	4	115
A-FASE-FF	Sensor Enabled™ Bi-D Irrigated Ablation Catheter	F-F	8	1-4-1	4	115
A-FASE-FJ	Sensor Enabled™ Bi-D Irrigated Ablation Catheter	F-J	8	1-4-1	4	115
A-FASE-JJ	Sensor Enabled™ Bi-D Irrigated Ablation Catheter	J-J	8	1-4-1	4	115
A-FASE-D	Sensor Enabled™ Uni-D Irrigated Ablation Catheter	D	8	1-4-1	4	115
A-FASE-F	Sensor Enabled™ Uni-D Irrigated Ablation Catheter	F	8	1-4-1	4	115
A-FASE-J	Sensor Enabled™ Uni-D Irrigated Ablation Catheter	J	8	1-4-1	4	115

Required Catheter Connecting Cable: Model A-FASE-CBL4

*Compared to ThermoCool[†] ablation catheter (BioSense Webster)

1. Abbott. Data on File. Report 90210281.

2. Abbott. Data on File. Report 90115246.

The FlexAbility™ Ablation Catheter, Sensor Enabled™ is intended for use with the compatible irrigation pump and a compatible RF cardiac ablation generator. The catheter is intended for creating focal lesions during cardiac ablation procedures (mapping, stimulation, and ablation) for the treatment of arrhythmias. Sensor Enabled™ Ablation Catheters are used with compatible magnetic tracking systems to enable catheter positioning and navigation. Epicardial ablation should be limited to appropriately selected patients with ventricular tachycardia.

Therapy™ Cool Flex™ Ablation Catheter Irrigated 4 mm Tip Thermocouple Quadripolar 7 F

Product Highlights

- Flexible tip electrode can conform to tissue
- Laser cut tip designed for optimal irrigation flow profile
- 0.5 mm spacing between tip and first band electrode to enhance signal quality
- Uni-directional steering
- Push/pull handle

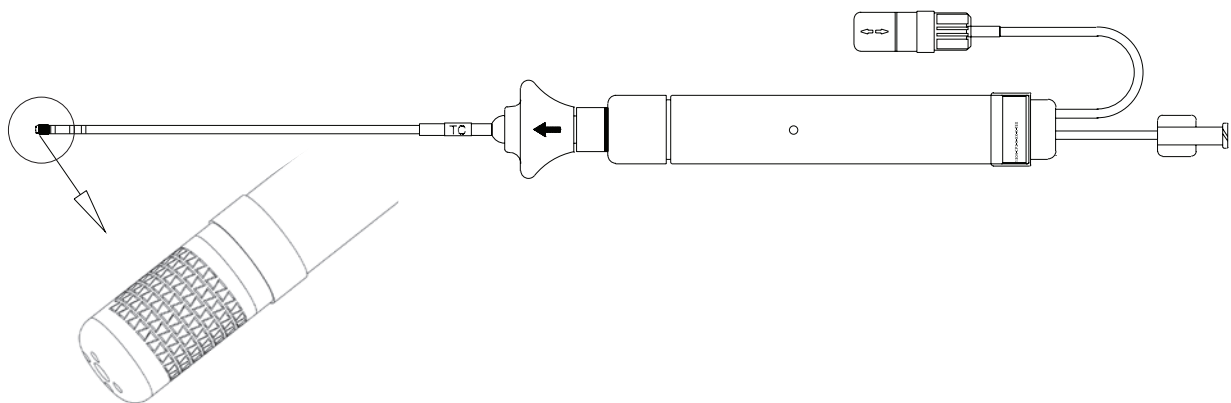
Ordering Information

7 F irrigated ablation catheter (1 unit per box)

Reorder Number	Description	Electrode Spacing (mm)	Tip Electrode (mm)	Band Electrode (mm)	Curve Type	Usable Length (cm)
A088015	1304-CF-7-0.5(5)2-M-TE4BE1EB	0.5-5-2	4	1	Medium	110
A088016	1304-CF-7-0.5(5)2-L-TE4BE1EB	0.5-5-2	4	1	Large	110
A088017	1304-CF-7-0.5(5)2-XL-TE4BE1EB	0.5-5-2	4	1	X-Large	110
A088018	1304-CF-7-0.5(5)2-L1-TE4BE1EB	0.5-5-2	4	1	L1	110

Required Catheter Connecting Cable – Page 35

SJM: IBI-85641



Therapy™ Cool Path™ Duo
Ablation Catheters
4 mm Tip Thermocouple
Quadripolar
7 F

Product Highlights

- All braided shaft
- Double mesh stainless steel braiding to the distal tip
- Two rows of six equidistant ports offset by 30 degrees
- Proximal and distal tip electrode irrigation
- Uni-directional steering
- Push/pull handle

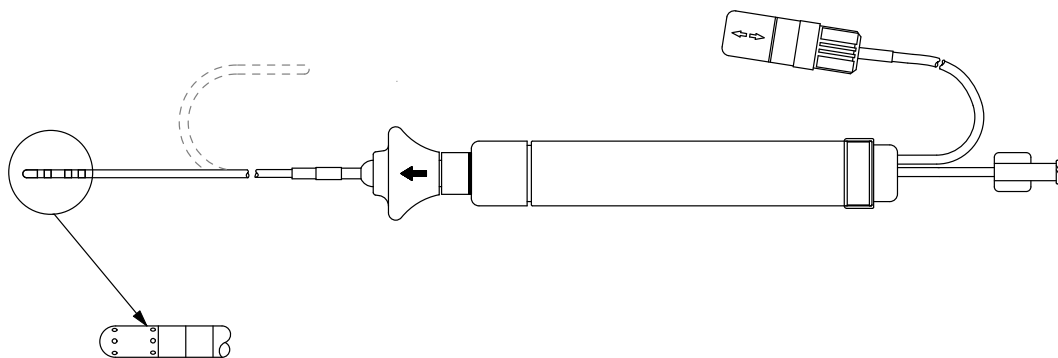
Ordering Information

7 F irrigated ablation catheter (1 unit per box)

Reorder Number	Description	Electrode Spacing (mm)	Tip Electrode (mm)	Band Electrode (mm)	Curve Type
IBI-83562	1304-CP2-7-1.5(5)2-M-TE4BE1AB	1.5-5-2	4	1	Medium
IBI-83563	1304-CP2-7-1.5(5)2-L-TE4BE1AB	1.5-5-2	4	1	Large
IBI-83564	1304-CP2-7-1.5(5)2-XL-TE4BE1AB	1.5-5-2	4	1	X-Large
IBI-83565	1304-CP2-7-1.5(5)2-L1-TE4BE1AB	1.5-5-2	4	1	Large1

Required Catheter Connecting Cable – Page 35

SJM: IBI-85641, IBI-85644



Therapy™ Cool Path™ Ablation Catheter
Irrigated 2 & 4 mm Tip
Quadripolar
7 F

Product Highlights

- Six equidistant ports on the distal tip
- Uni-directional steering
- Push/pull handle

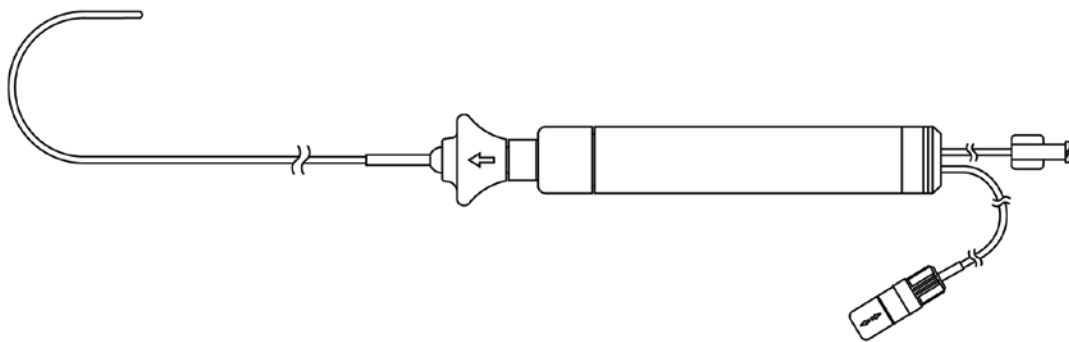
Ordering Information

7 F irrigated ablation catheter (1 unit per box)

Reorder Number	Description	Electrode Spacing (mm)	Tip Electrode (mm)	Band Electrode (mm)	Curve Type	Usable Length (cm)
IBI-83352	1304-CP-7-25-M	2-5-2	4	2	Medium	110
IBI-83353	1304-CP-7-25-L	2-5-2	4	2	Large	110
IBI-83354	1304-CP-7-25-XL	2-5-2	4	2	X-Large	110
IBI-83358	1304-CP-7-25-M-TH	2-5-2	4	2	Medium	110
IBI-83359	1304-CP-7-25-L-TH	2-5-2	4	2	Large	110
IBI-83360	1304-CP-7-25-XL-TH	2-5-2	4	2	X-Large	110
IBI-83362	1304-CP-7-25-L-TE2	2-5-2	2	2	Large	110
IBI-83376	1304-CP-7-25-FL	2-5-2	4	2	Flutter	110
IBI-83382	1304-CP-7-25-L1	2-5-2	4	2	Large1	110
IBI-83388	1304-CP-7-25-L1	2	4	2	Large1	110

Required Catheter Connecting Cable – Page Page 35

SJM: IBI-85641



Therapy™ Cool Path™
 Ablation Catheters
 4 mm Tip Thermocouple
 Quadripolar
 7 F

Product Highlights

- All braided shaft
- Double mesh stainless steel braiding to the distal tip
- Six equidistant ports on the distal tip
- Uni-directional steering
- Push/pull handle

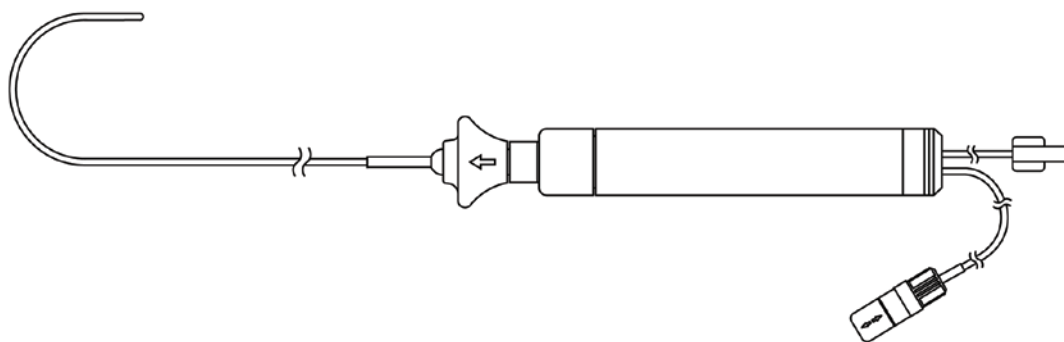
Ordering Information

7 F irrigated ablation catheter (1 unit per box)

Reorder Number	Description	Electrode Spacing (mm)	Tip Electrode (mm)	Band Electrode (mm)	Curve Type	Usable Length (cm)
IBI-83502	1304-CP-7-25-L-AB	2-5-2	4	2	Large	110
IBI-83503	1304-CP-7-25-M-AB	2-5-2	4	2	Medium	110
IBI-83504	1304-CP-7-25-XL-AB	2-5-2	4	2	X-Large	110
IBI-83505	1304-CP-7-25-L1-AB	2-5-2	4	2	Large1	110
IBI-83506	1304-CP-7-25-FL-AB	2-5-2	4	2	Flutter	110

Required Catheter Connecting Cable – Page 35

SJM: IBI-85641



Product Highlights

- Provides fast, real-time contact force (CF) measurement based on light interferometry technology
- Real-time feedback: Fast 50 Hz (20ms) sample rate streamlines workflow
- Fast, easy setup and enhanced workflow is obtained through an intuitive display of CF data
- CF parameters:
 - FTI™ – Force Time Integral parameter measured in real-time during catheter ablation procedures
 - LSI™ – Lesion Index combining contact force, radiofrequency (RF) application duration, and RF current
- Force sensor at the distal catheter tip to ensure accuracy and stability of measurement
- Fiber optic technology for optimal sensitivity and stability during CF measurement
- 75 or 65 mm steerable curve
- Requires TactiSys™ Quartz equipment and EnSite™ Contact Force Module software

Ordering Information

Open-irrigated 7 F ablation catheter with 75 or 65 mm steerable curve

Reorder Number	Description	Curve	French Size	Electrode Spacing (mm)	Tip Electrode (mm)	Length (cm)
PN-004 075	Irrigated Ablation Catheter (6 hole)	75 mm	7	2-5-2	3.5	115
PN-004 065	Irrigated Ablation Catheter (6 hole)	65 mm	7	2-5-2	3.5	115

